

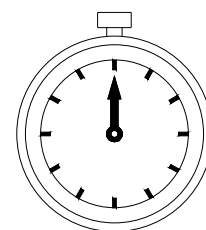
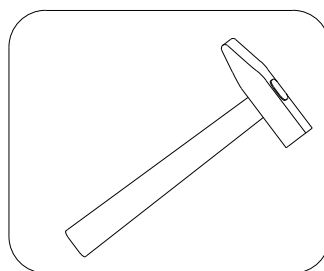
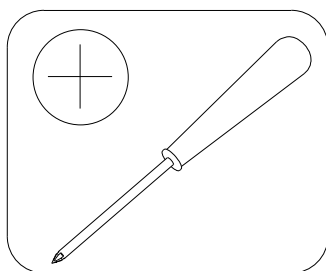
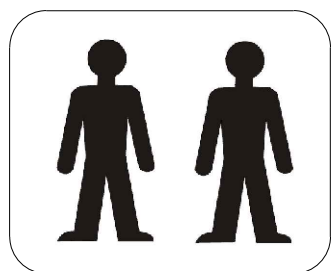
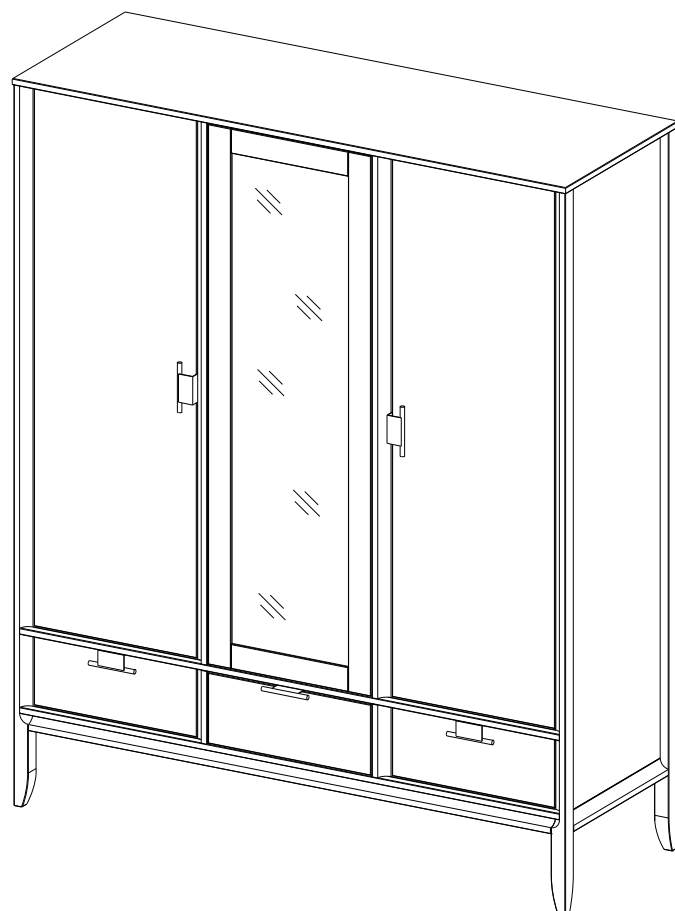
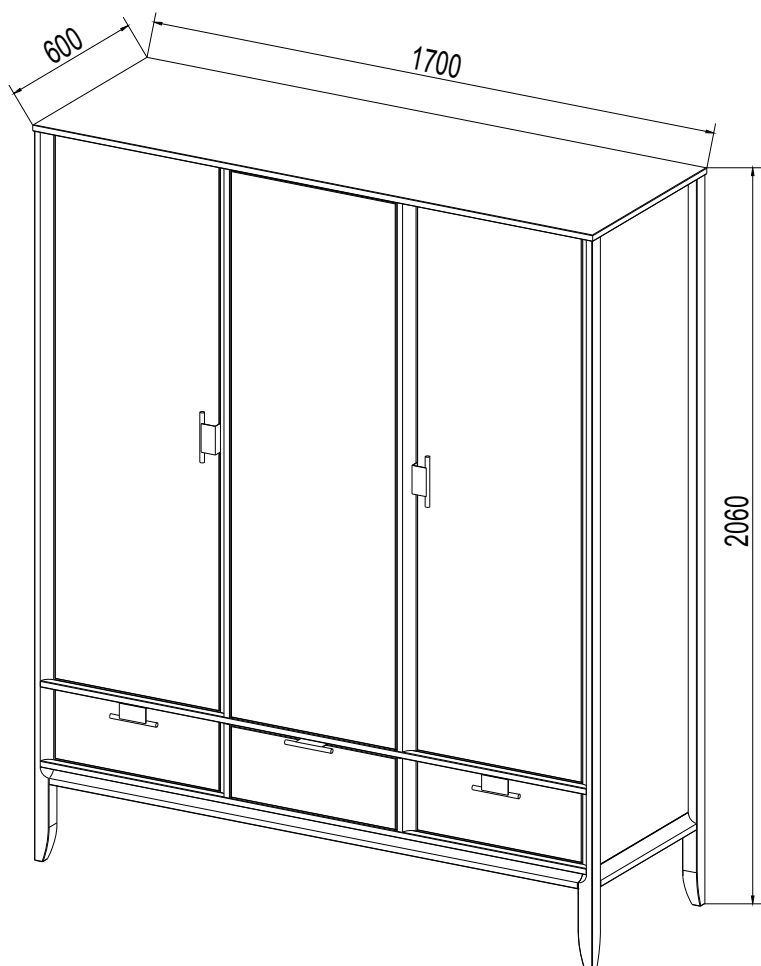


«SanRemi»

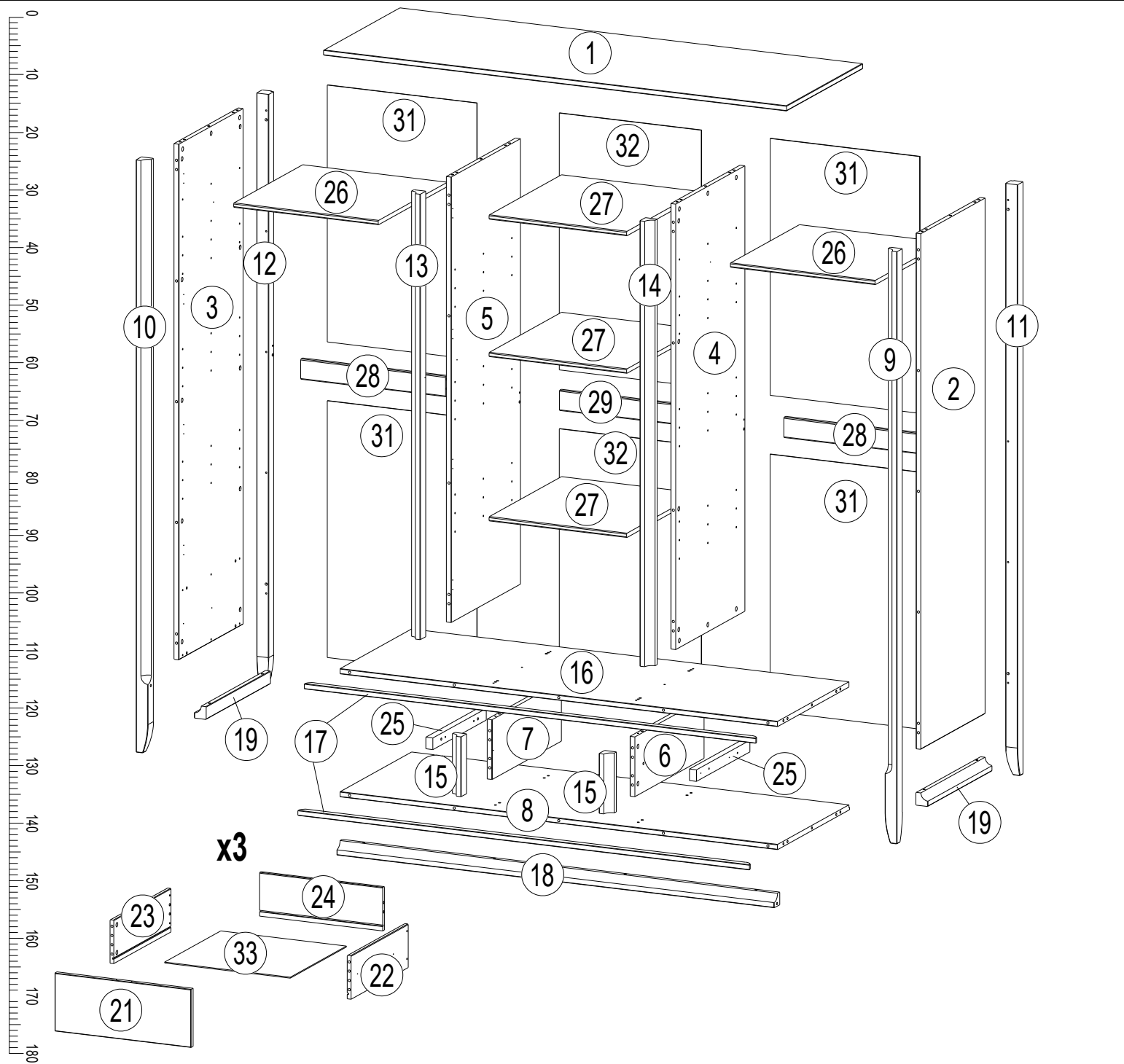
<https://sanremi-home.ru>

e-mail: sanremi@list.ru

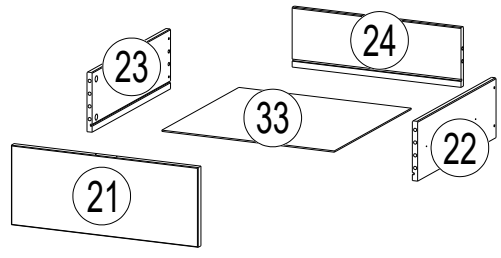
+7 (812) 920-36-23



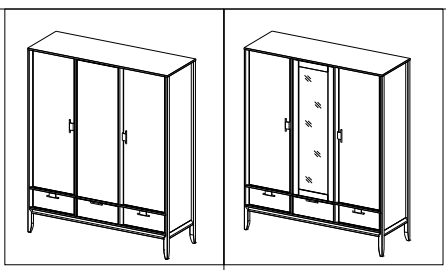
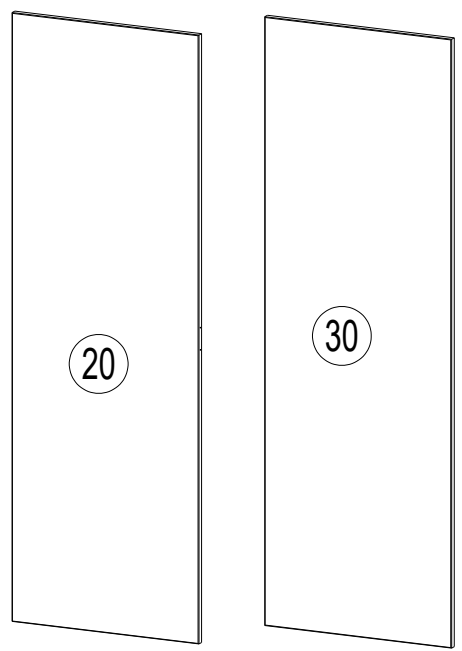
120 min



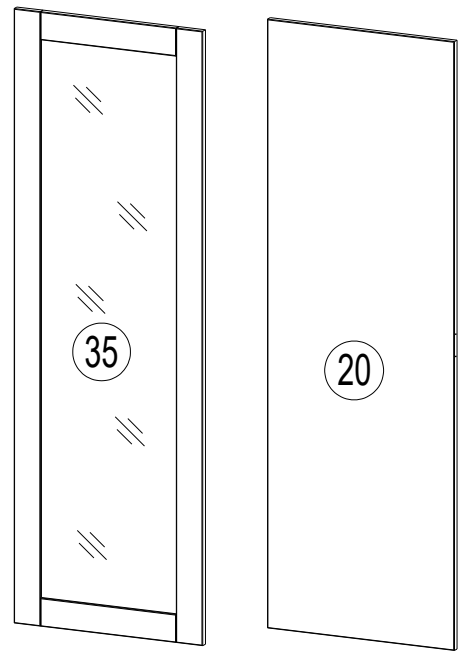
x3



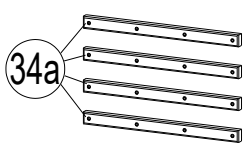
x2



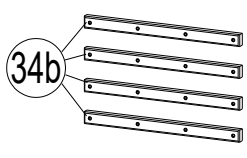
x2

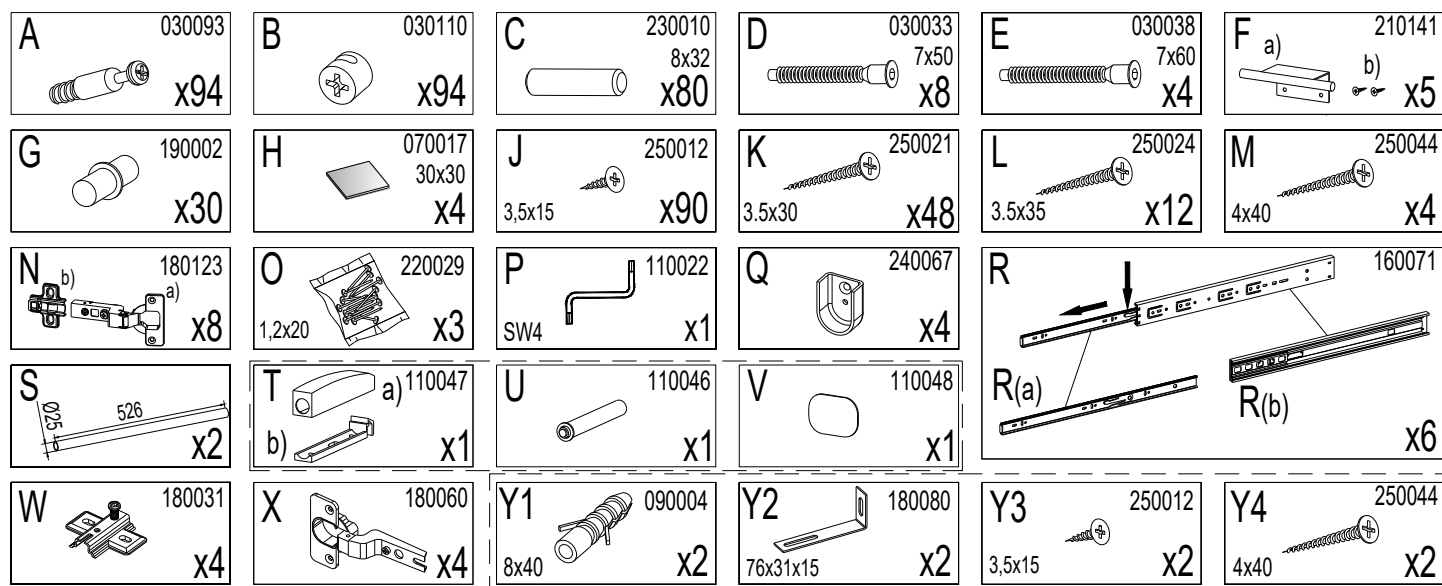


x3



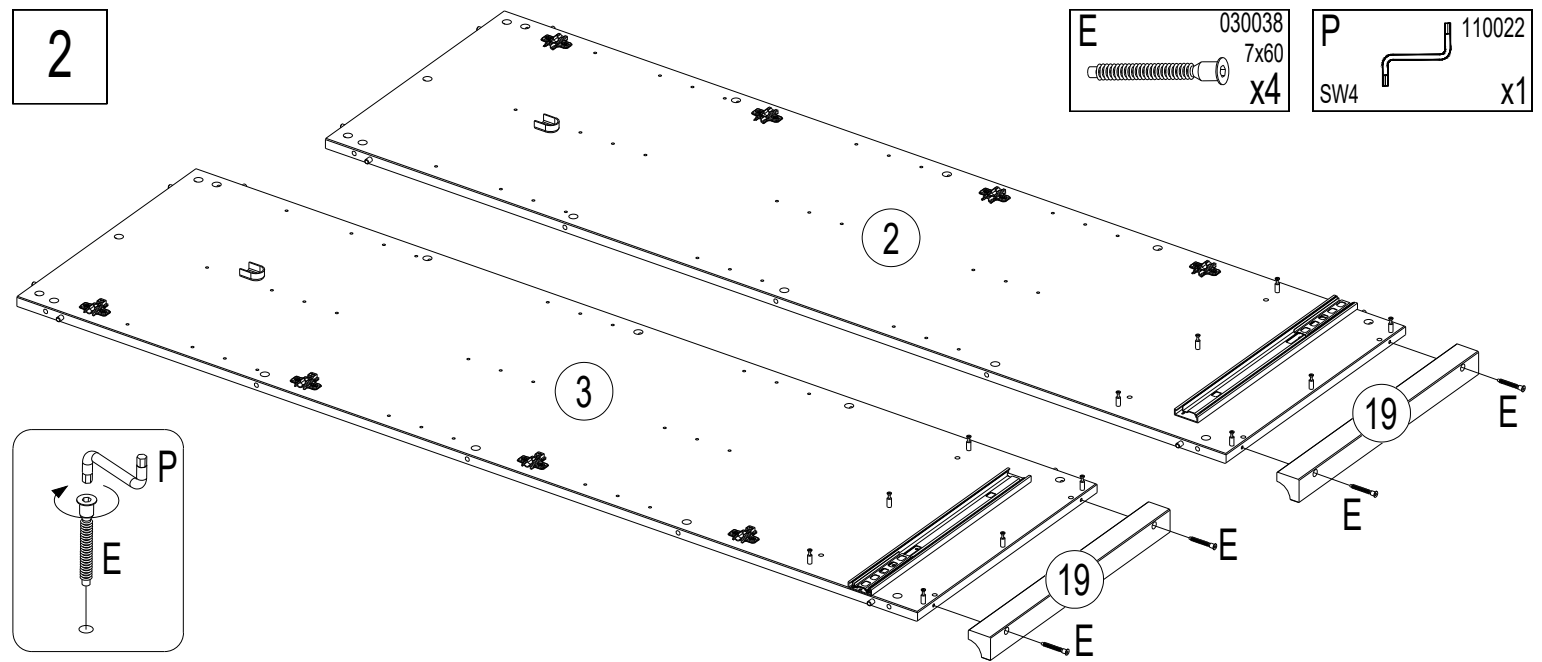
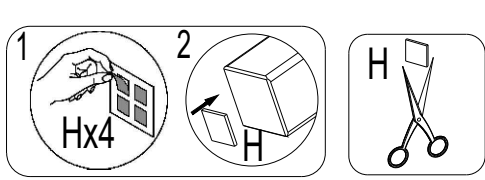
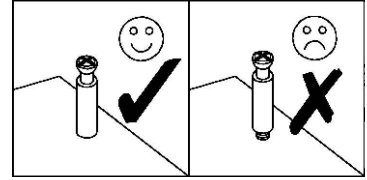
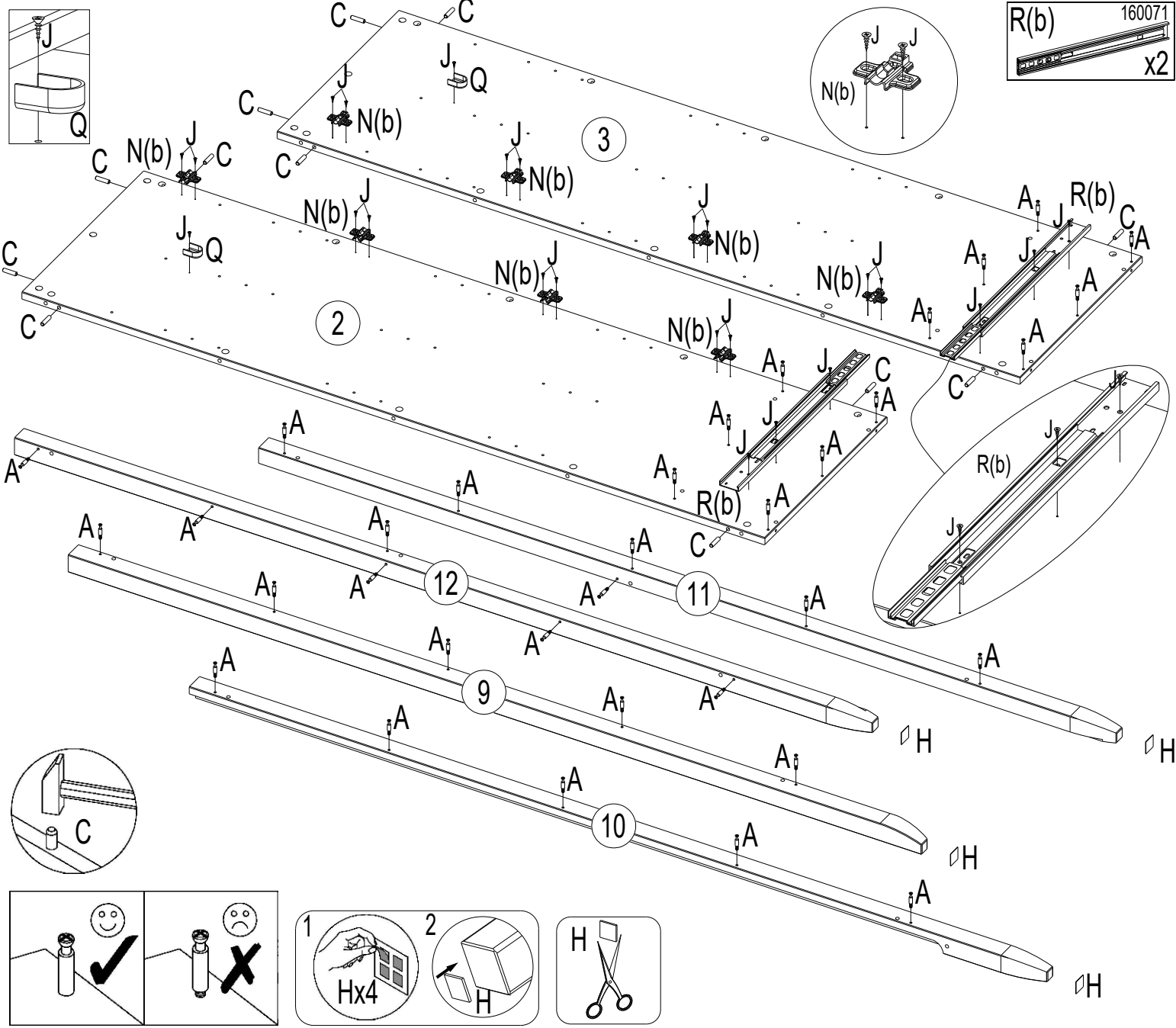
x2





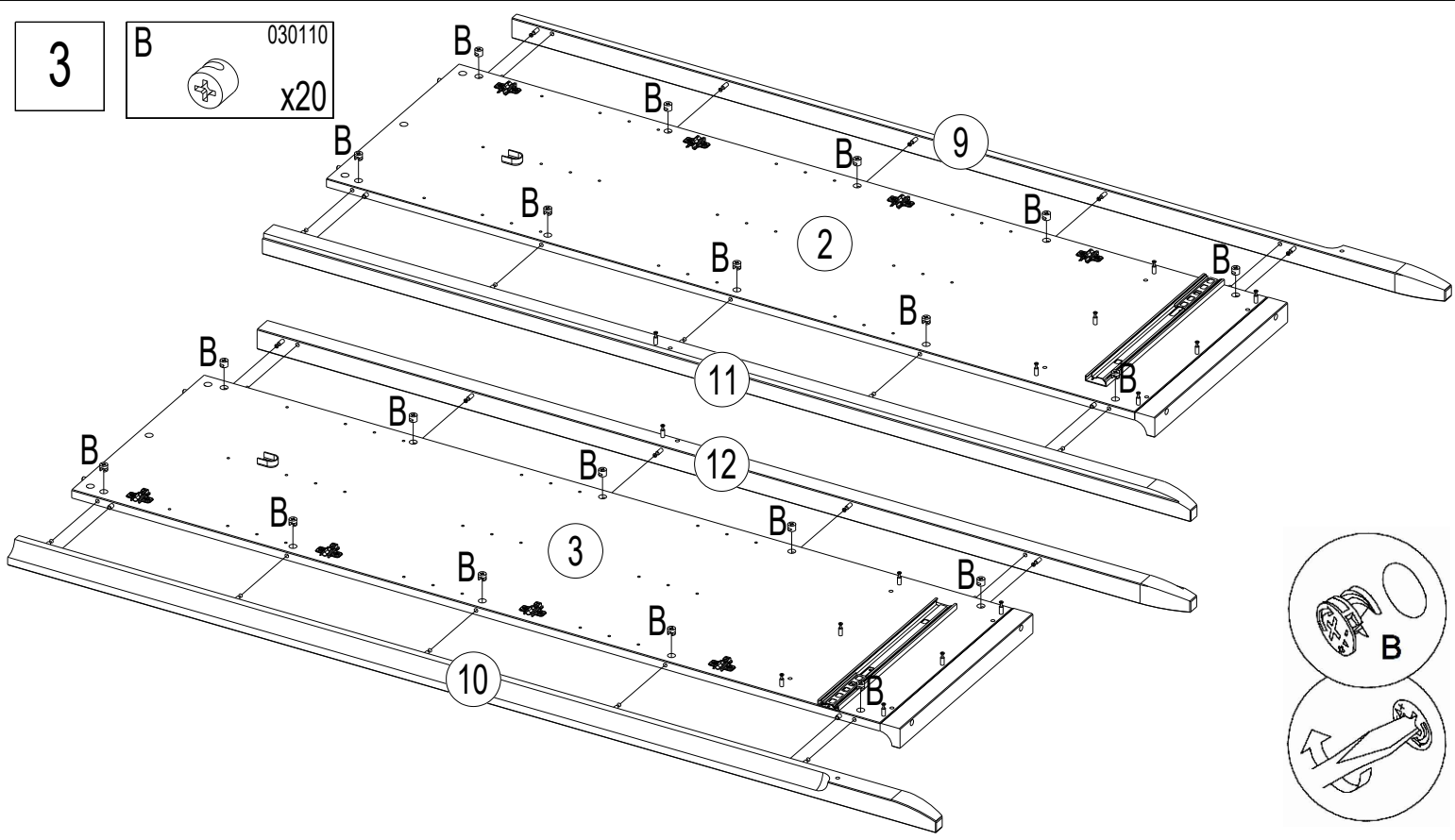
No	Size/MaB (mm)	Qty	✓	No	Size/MaB (mm)	Qty	✓
1	1700x600x18	1		19	506x44x44	2	
2	1778x506x18	1		20	1529x500x18	2	
3	1778x506x18	1		21	500x200x18	3	
4	1536x545x18	1		22	450x150x14	3	
5	1536x545x18	1		23	450x150x14	3	
6	545x206x18	1		24	452x150x14	3	
7	545x206x18	1		25	420x40x26	2	
8	1606x568x18	1		26	531x544x15	2	
9	2042x44x44	1		27	505x570x15	3	
10	2042x44x44	1		28	532x70x15	2	
11	2042x44x44	1		29	506x70x15	1	
12	2042x44x44	1		30	1529x500x18	1	
13	1536x44x44	1		31	885x550x3	4	
14	1536x44x44	1		32	885x524x3	2	
15	206x44x44	2		33	461x442x3	3	
16	1606x563x18	1		34a	416x30x18	12	
17	1658x26x18	2		34b	416x30x18	8	
18	1606x44x44	1		35	1529x500x18	1	

- 1**
- A** 030093 x34
- C** 230010 8x32 x12
- H** 070017 30x30 x4
- J** 250012 3,5x15 x24
- N(b)** 180123 x8
- Q** 240067 x2
- R(b)** 160071 x2



3

B 030110 x20



4

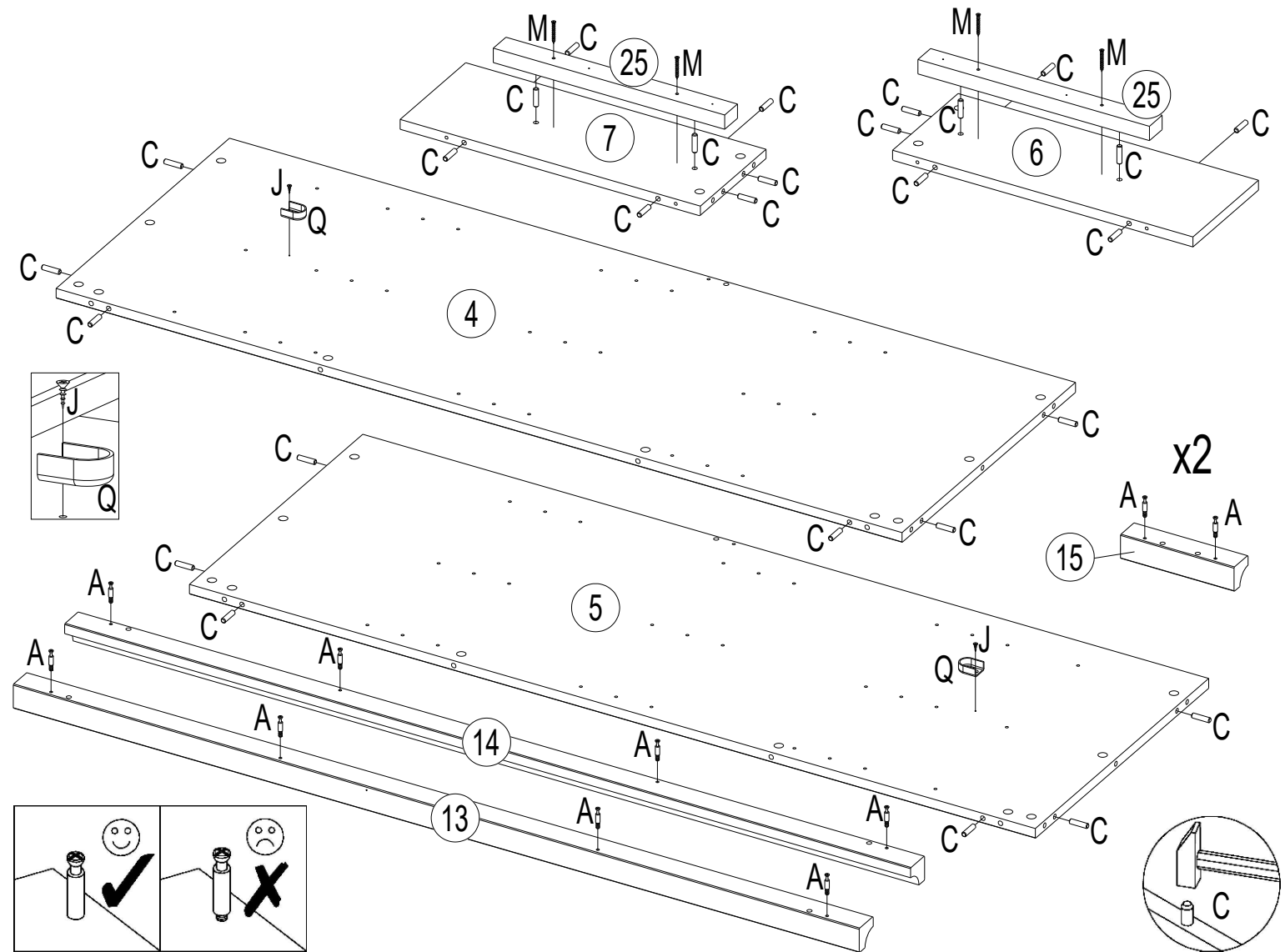
A 030093 x12

C 230010 8x32 x28

J 250012 3,5x15 x2

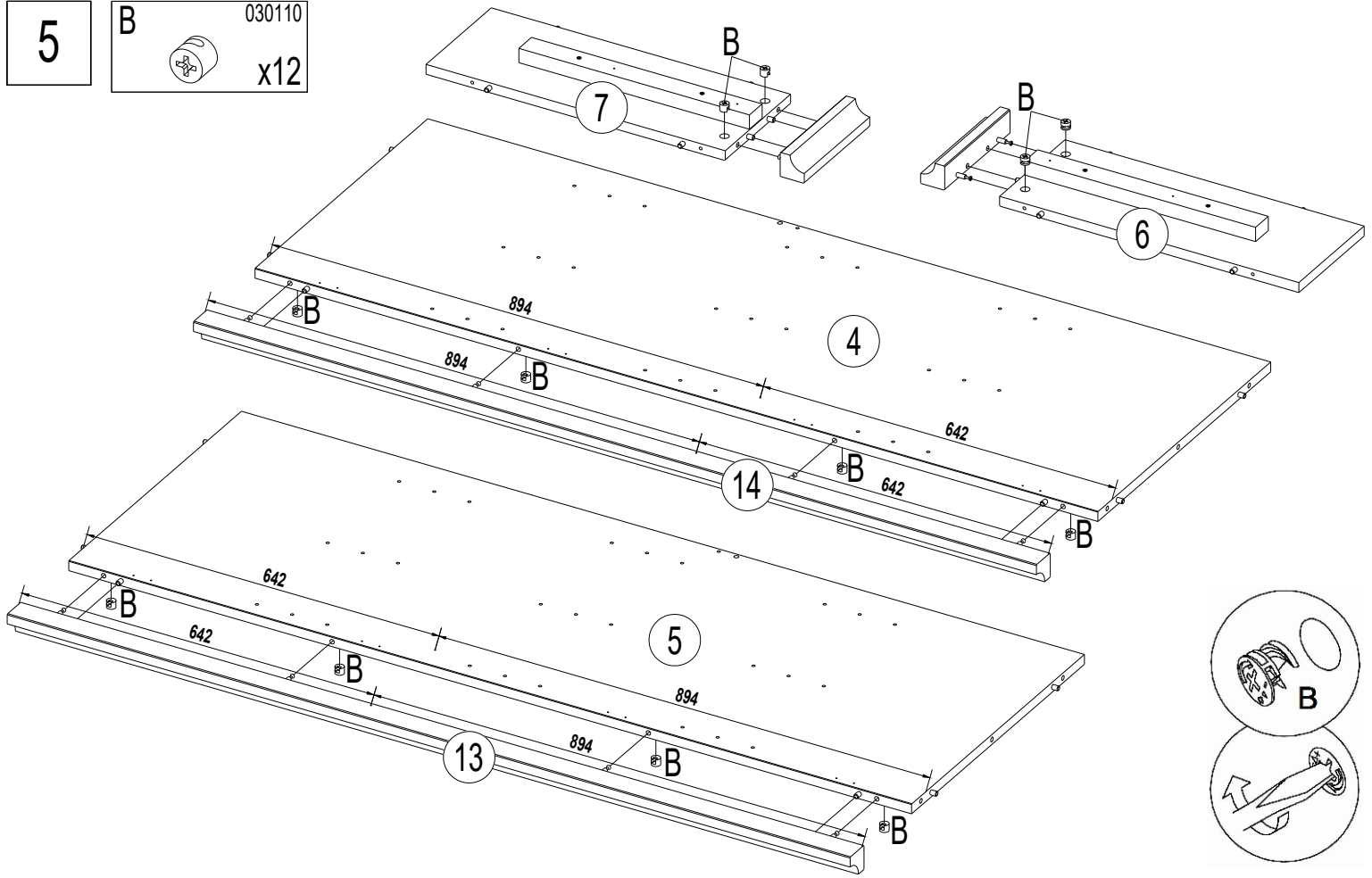
M 250044 4x40 x4

Q 240067 x2



5

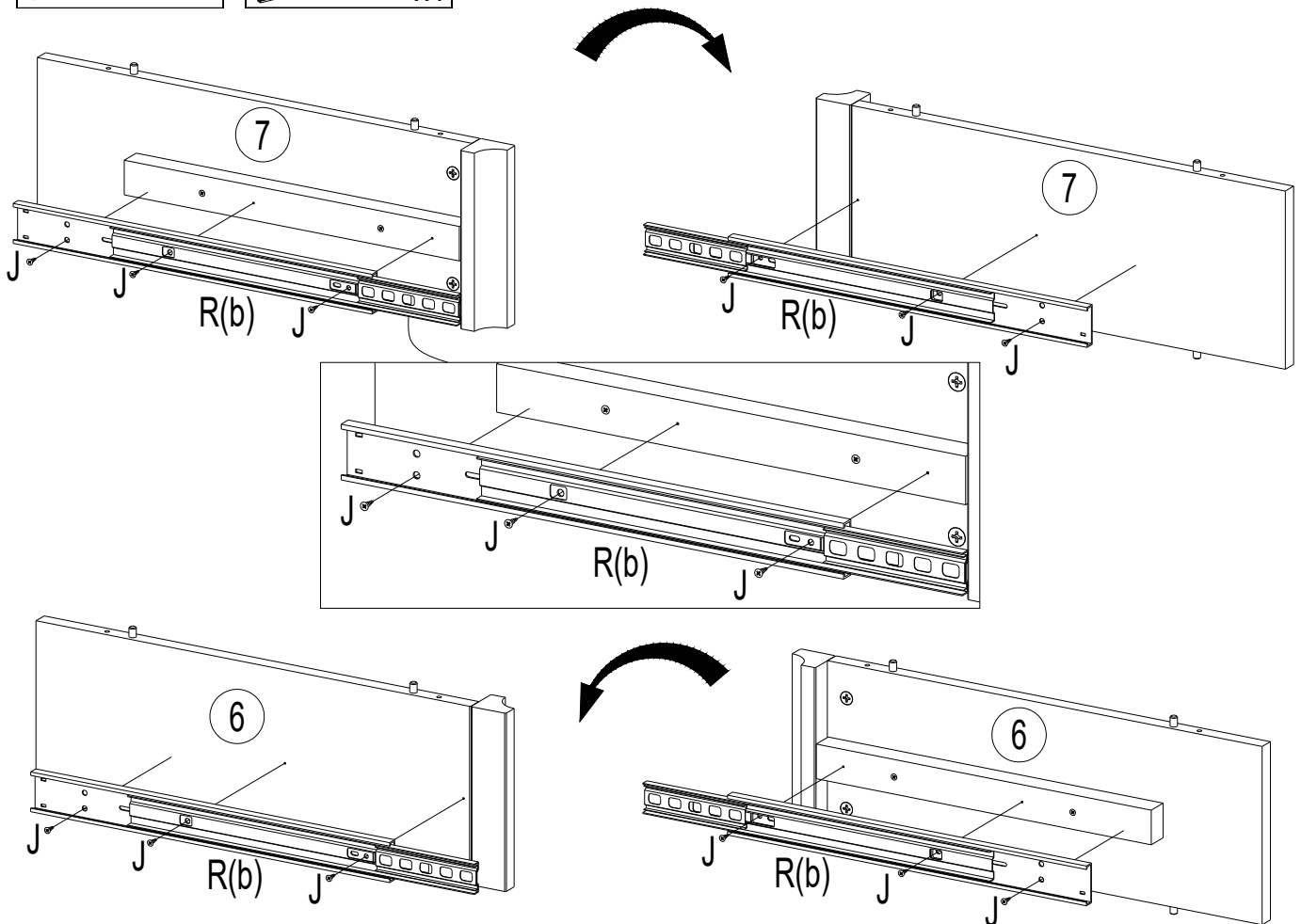
B 030110
x12



6

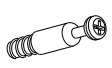
J 250012
3,5x15 x12

R(b) 160071
x4




7a


A 030093 x4



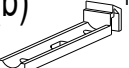
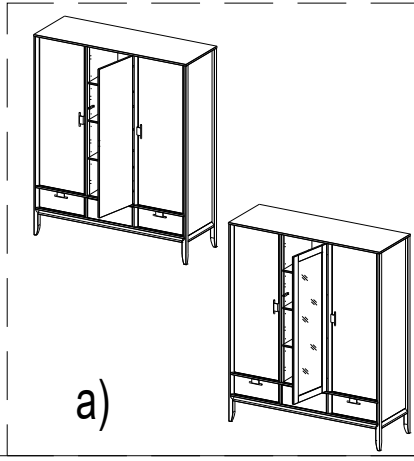
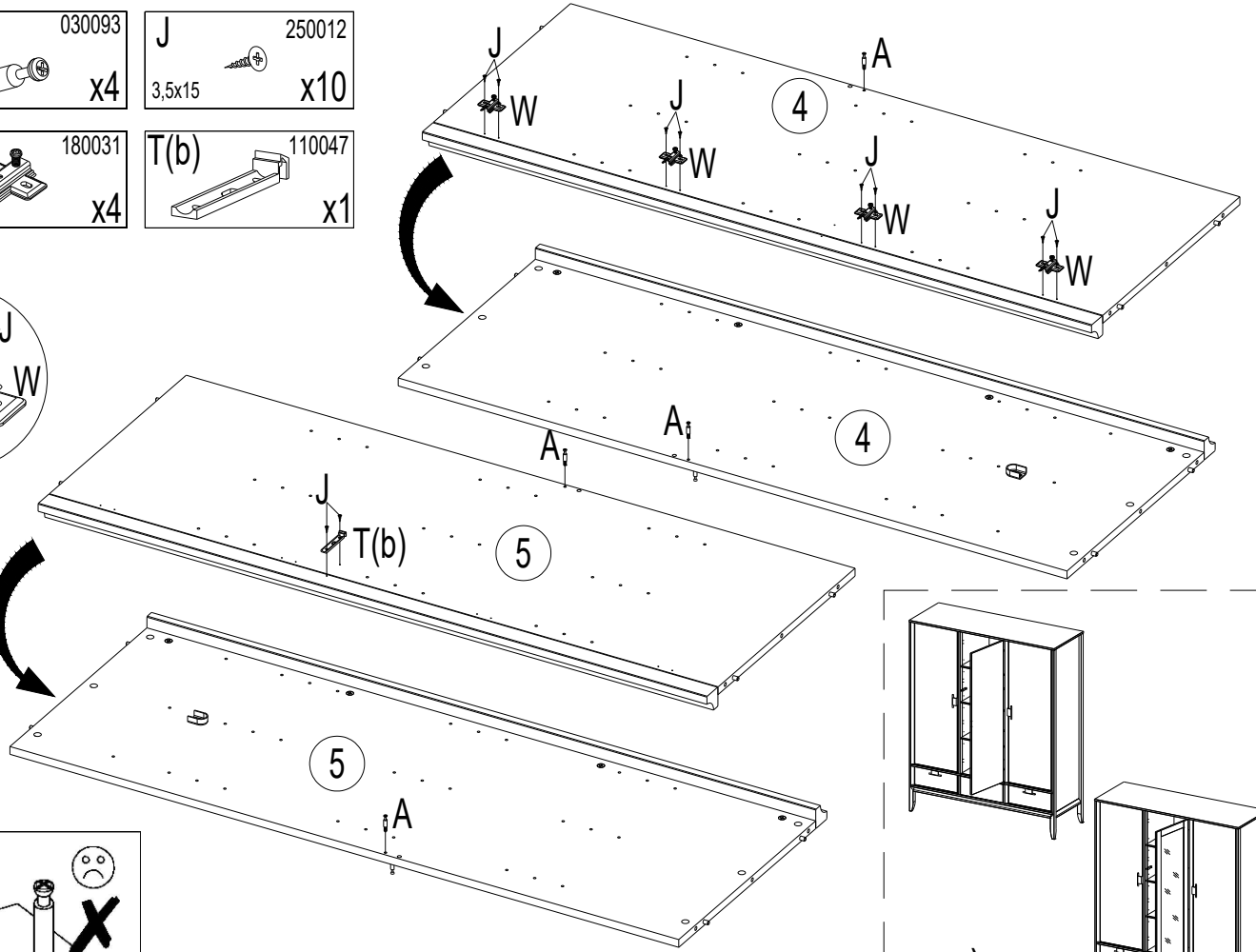
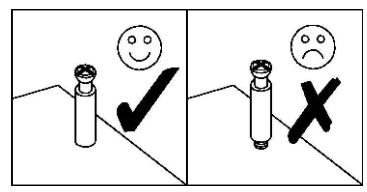
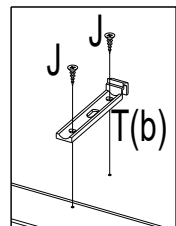
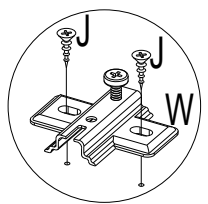
J 250012 x10
3,5x15



W 180031 x4

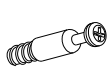


T(b) 110047 x1





7b


A 030093 x4



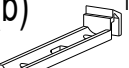
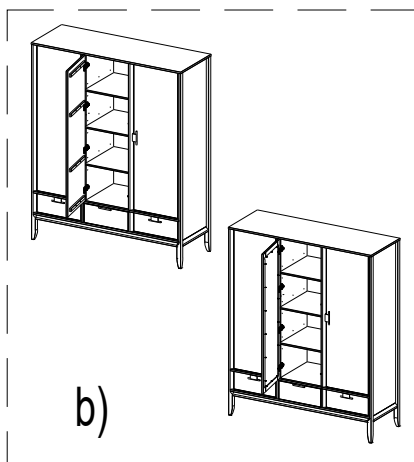
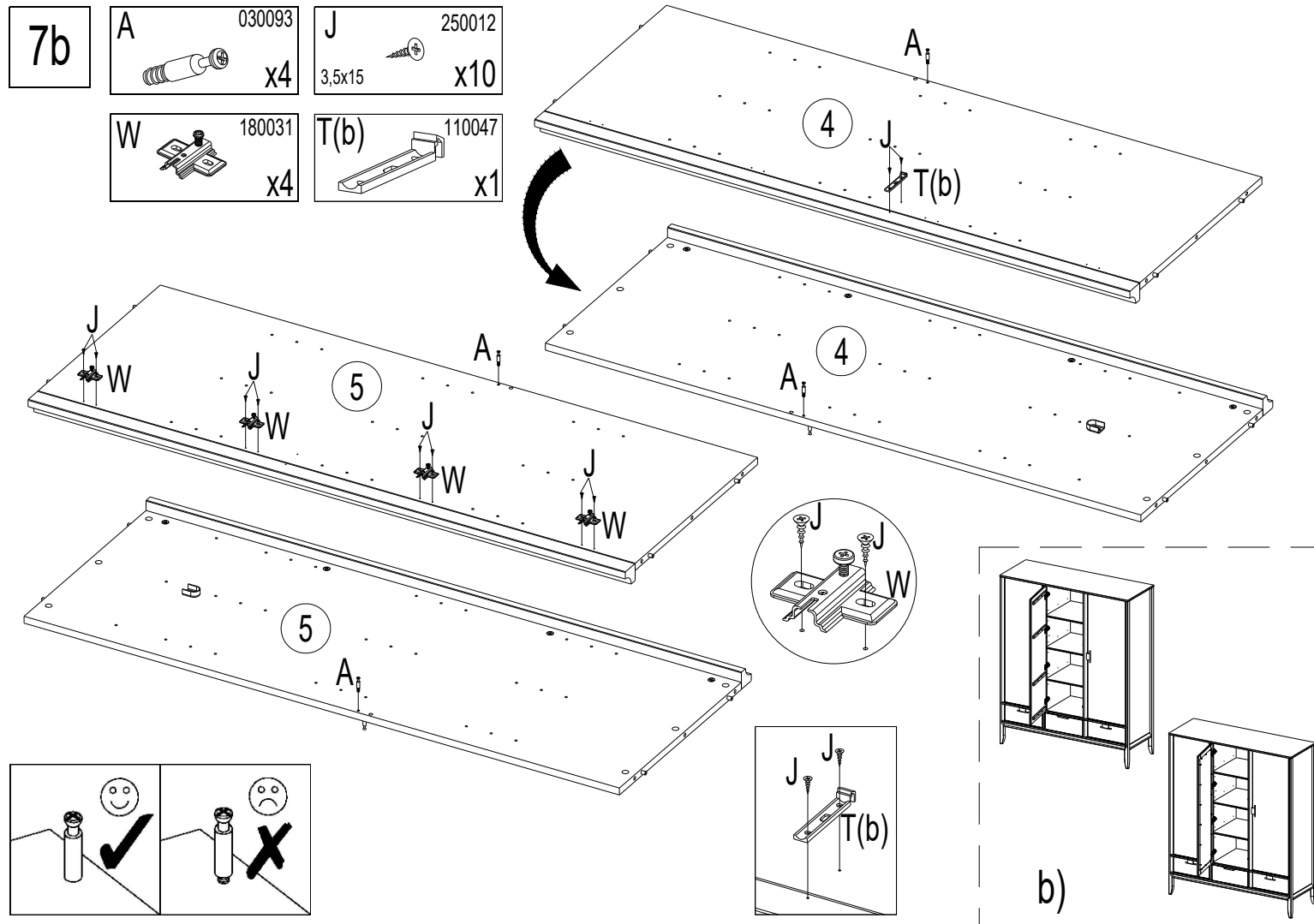
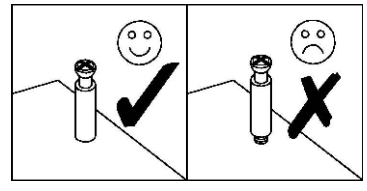
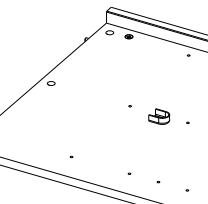
J 250012 x10
3,5x15



W 180031 x4



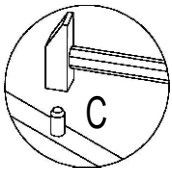
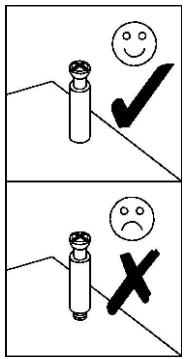
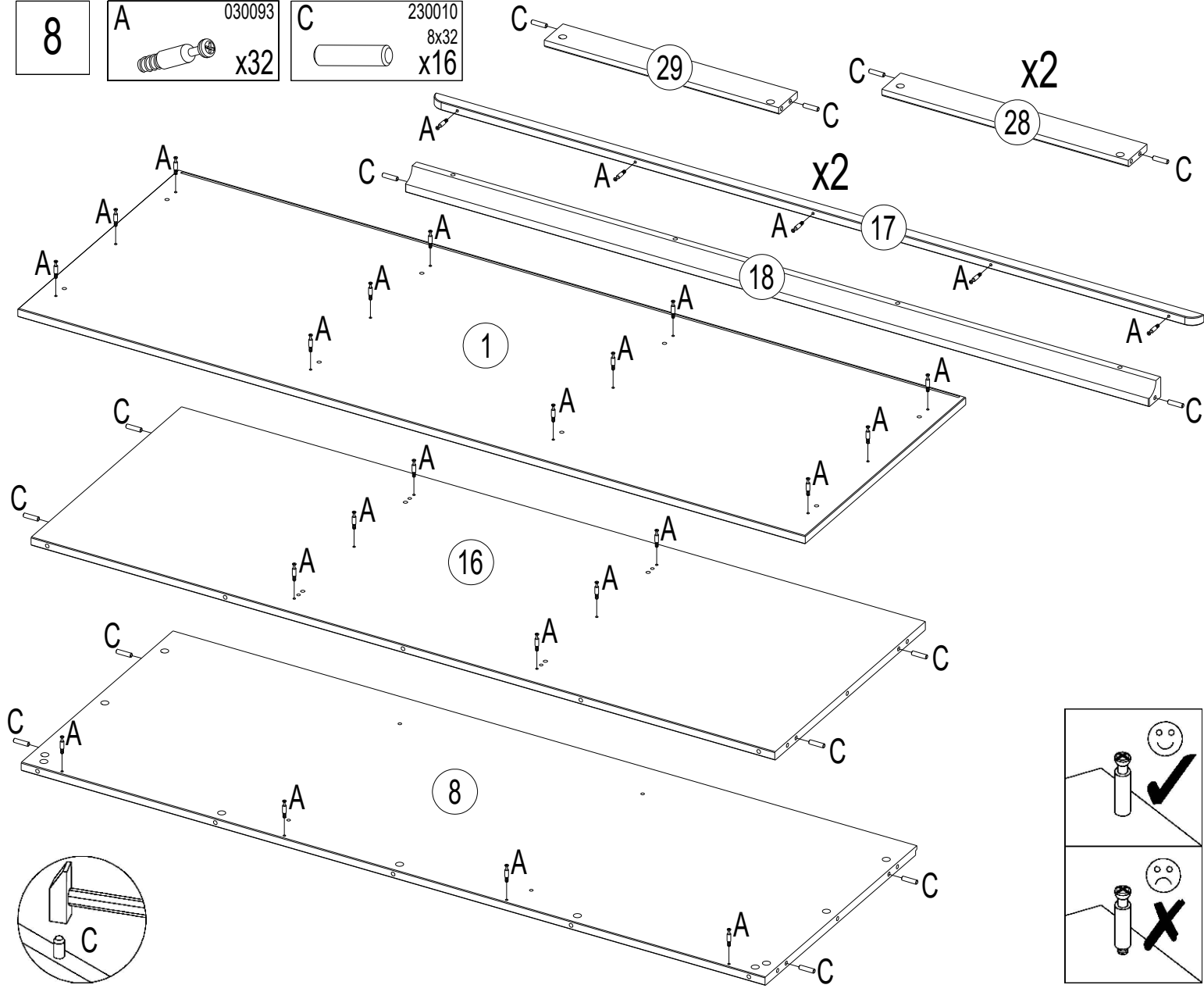
T(b) 110047 x1

8

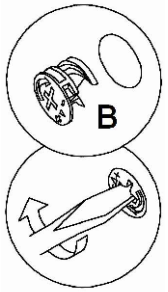
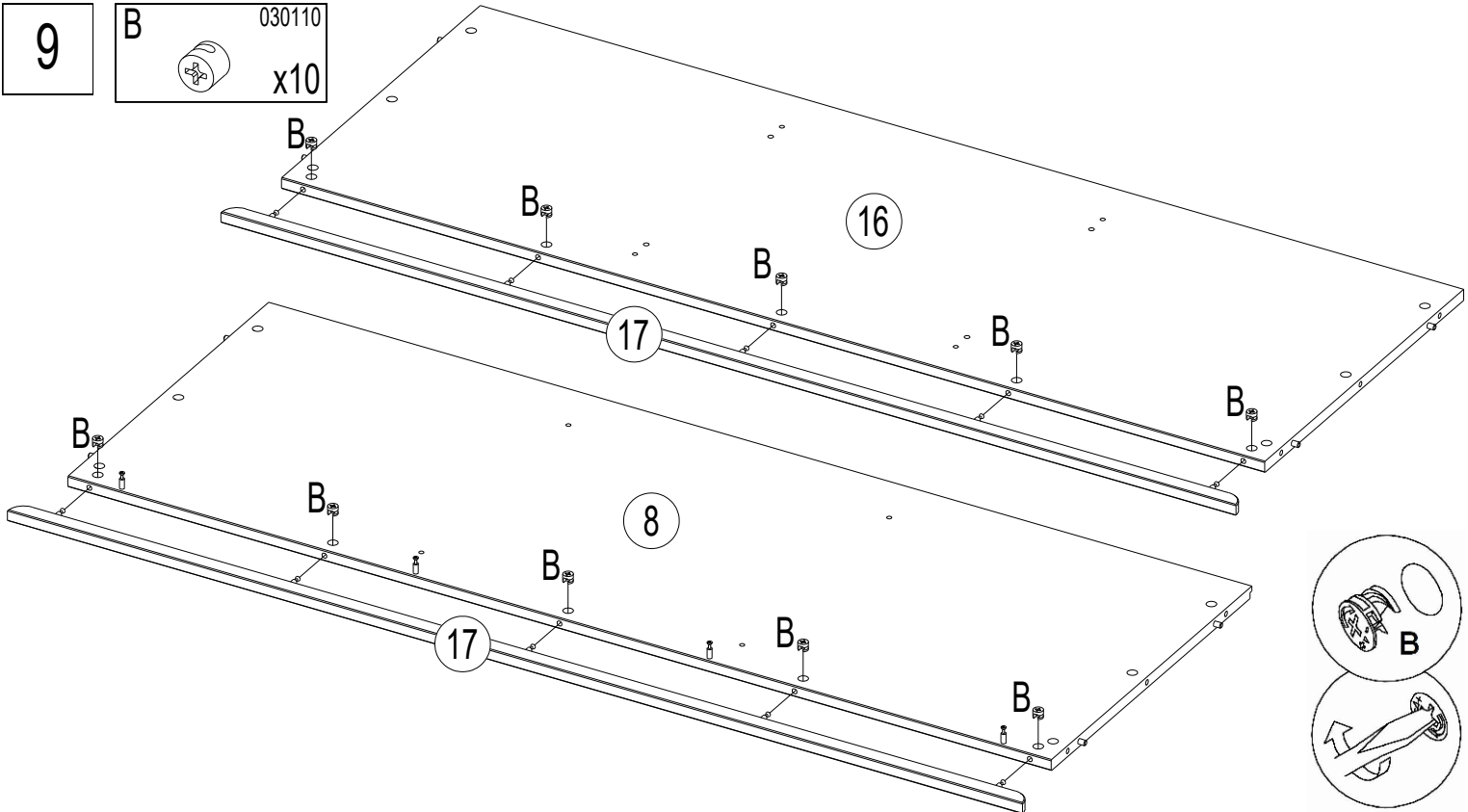
A 030093 x32

C 230010 8x32 x16



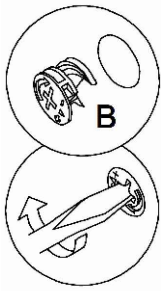
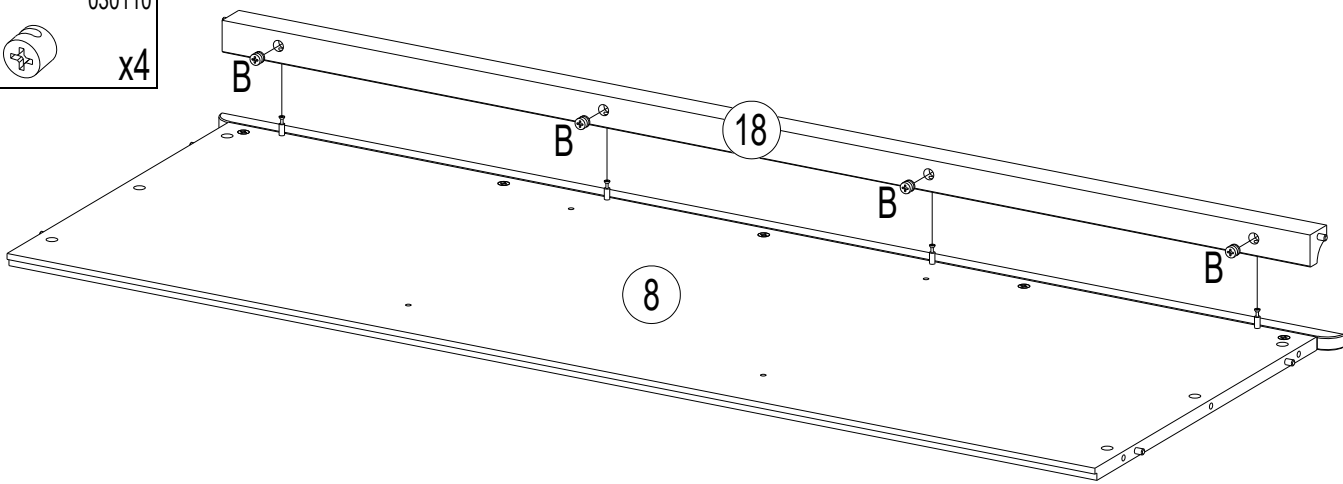
9

B 030110 x10



10

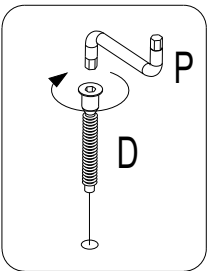
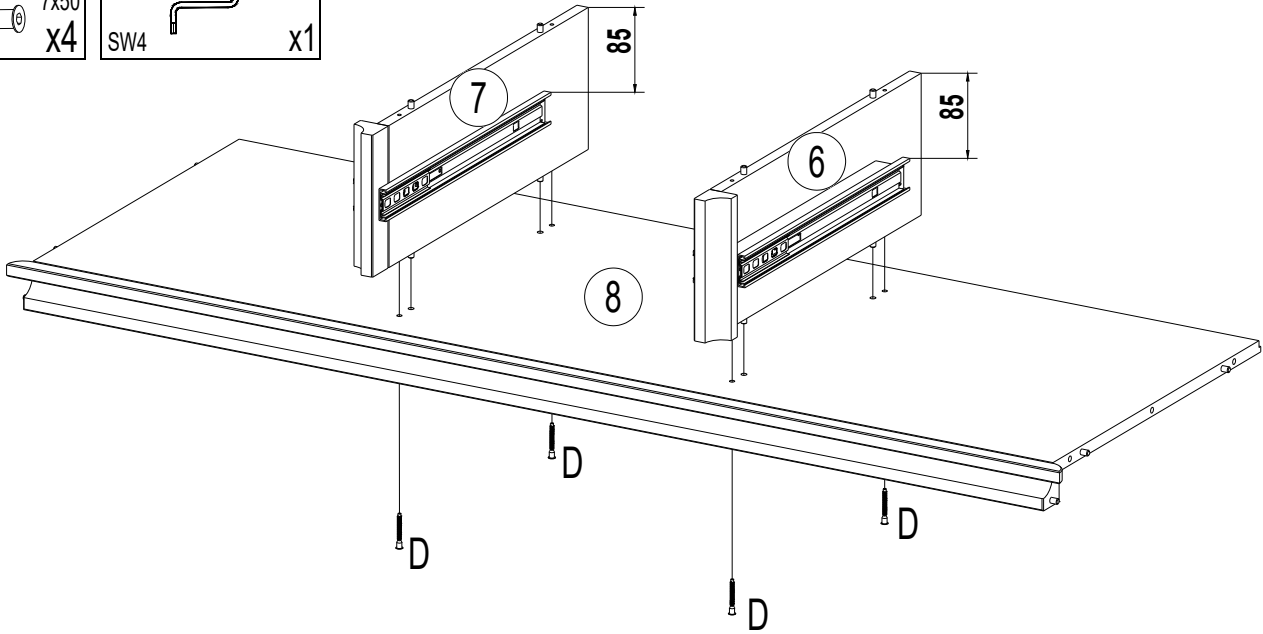
B 030110
x4



11

D 030033
7x50
x4

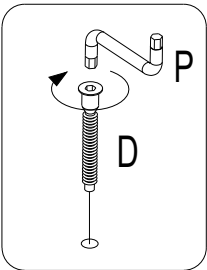
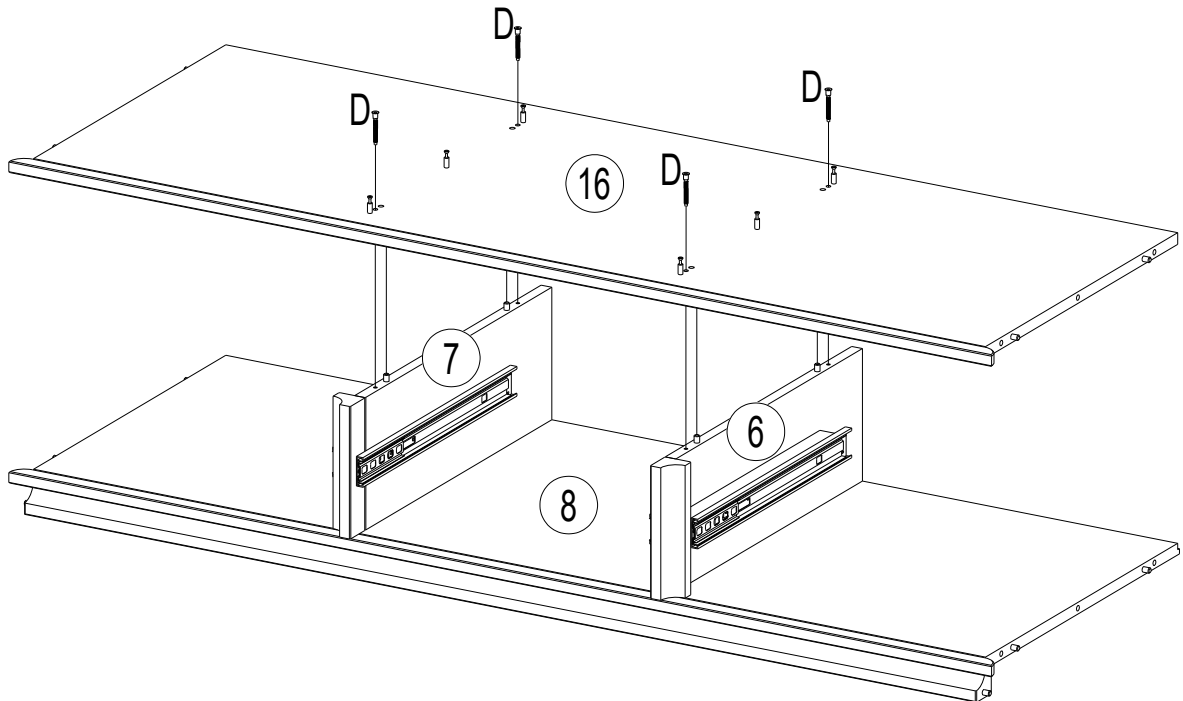
P 110022
SW4
x1



12

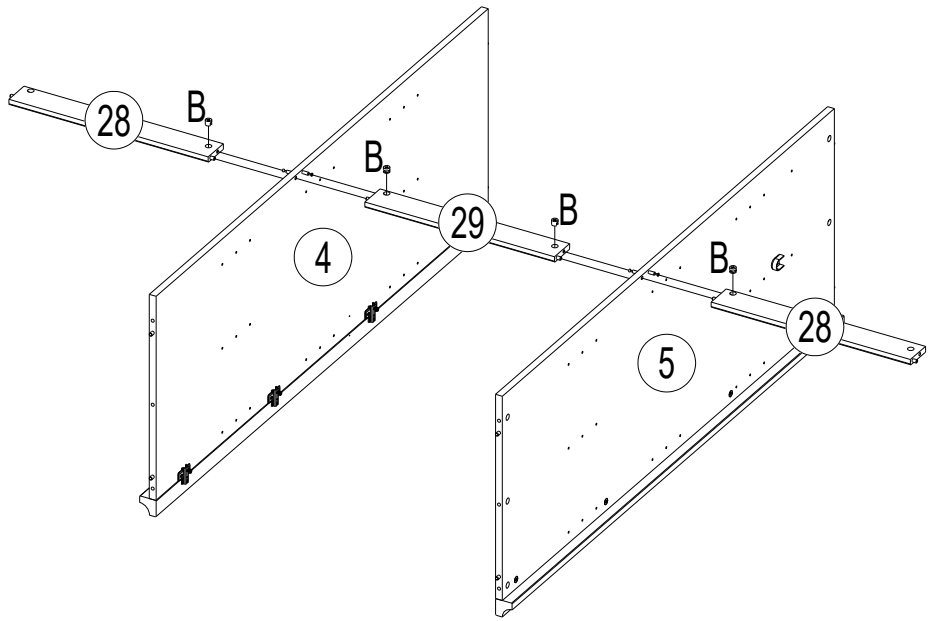
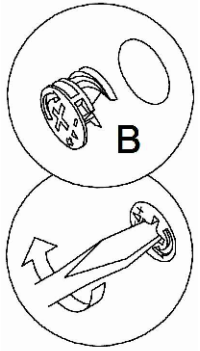
D 030033
7x50
x4

P 110022
SW4
x1



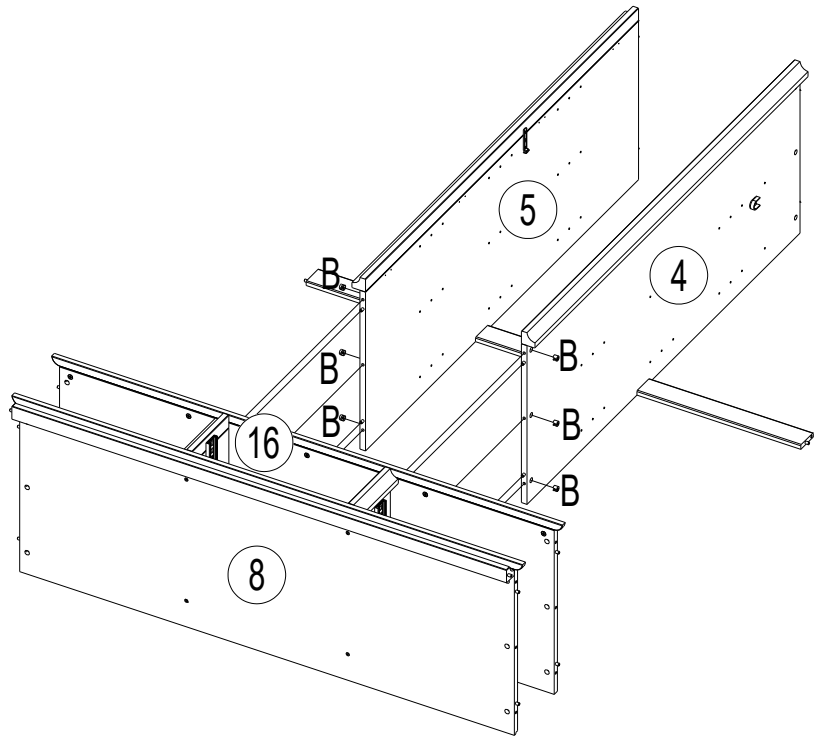
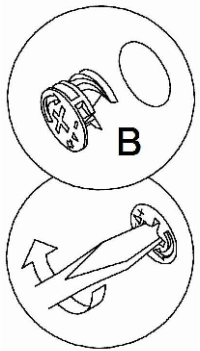
13a

B 030110 x4



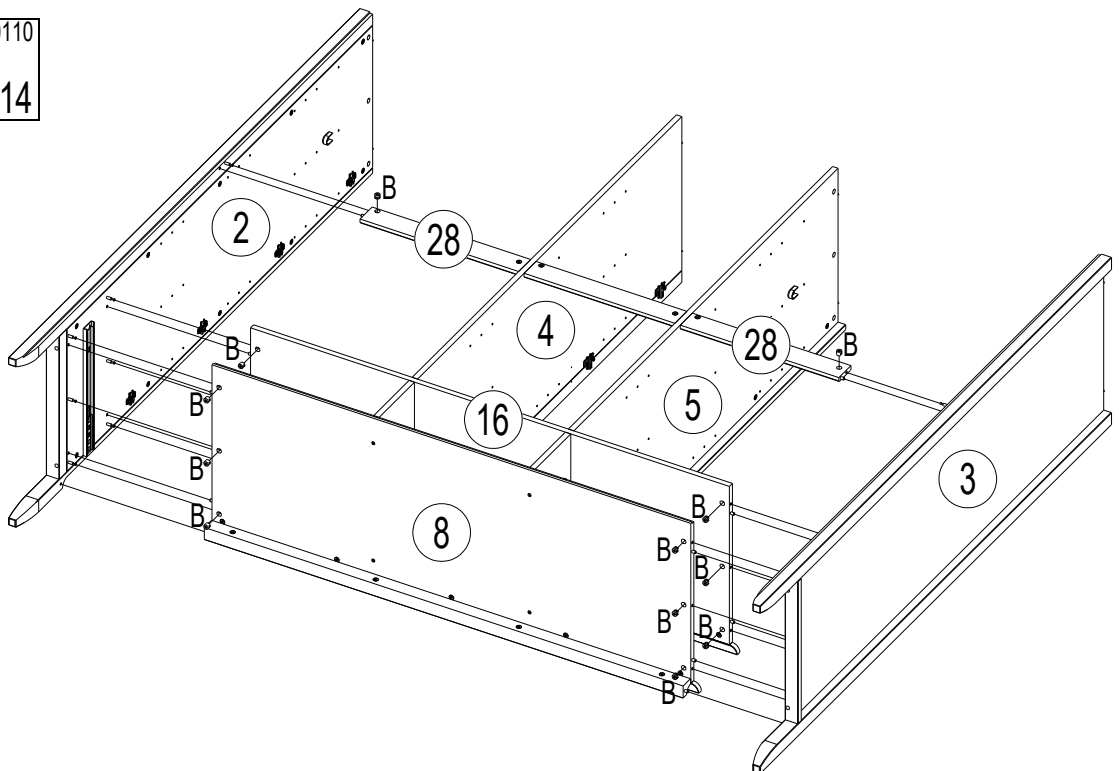
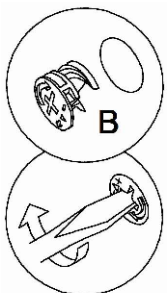
14a

B 030110 x6



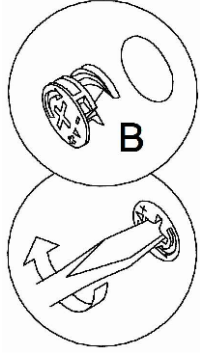
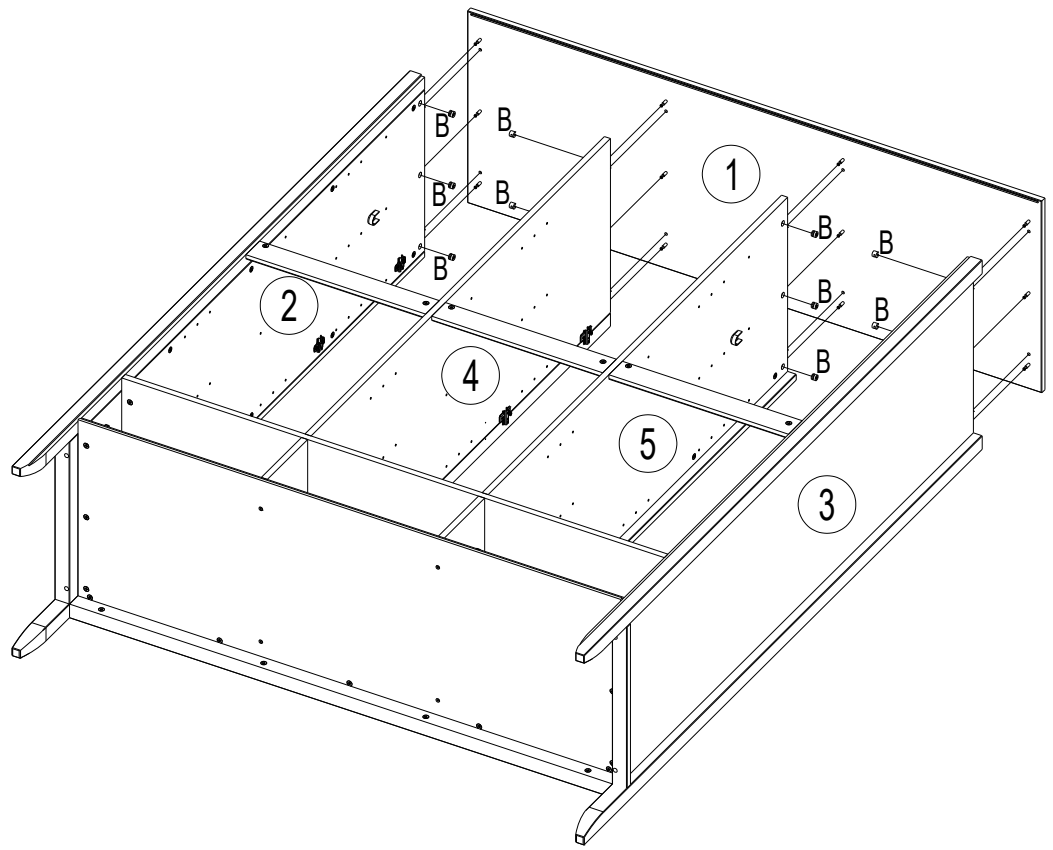
15a

B 030110 x14



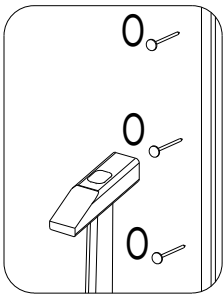
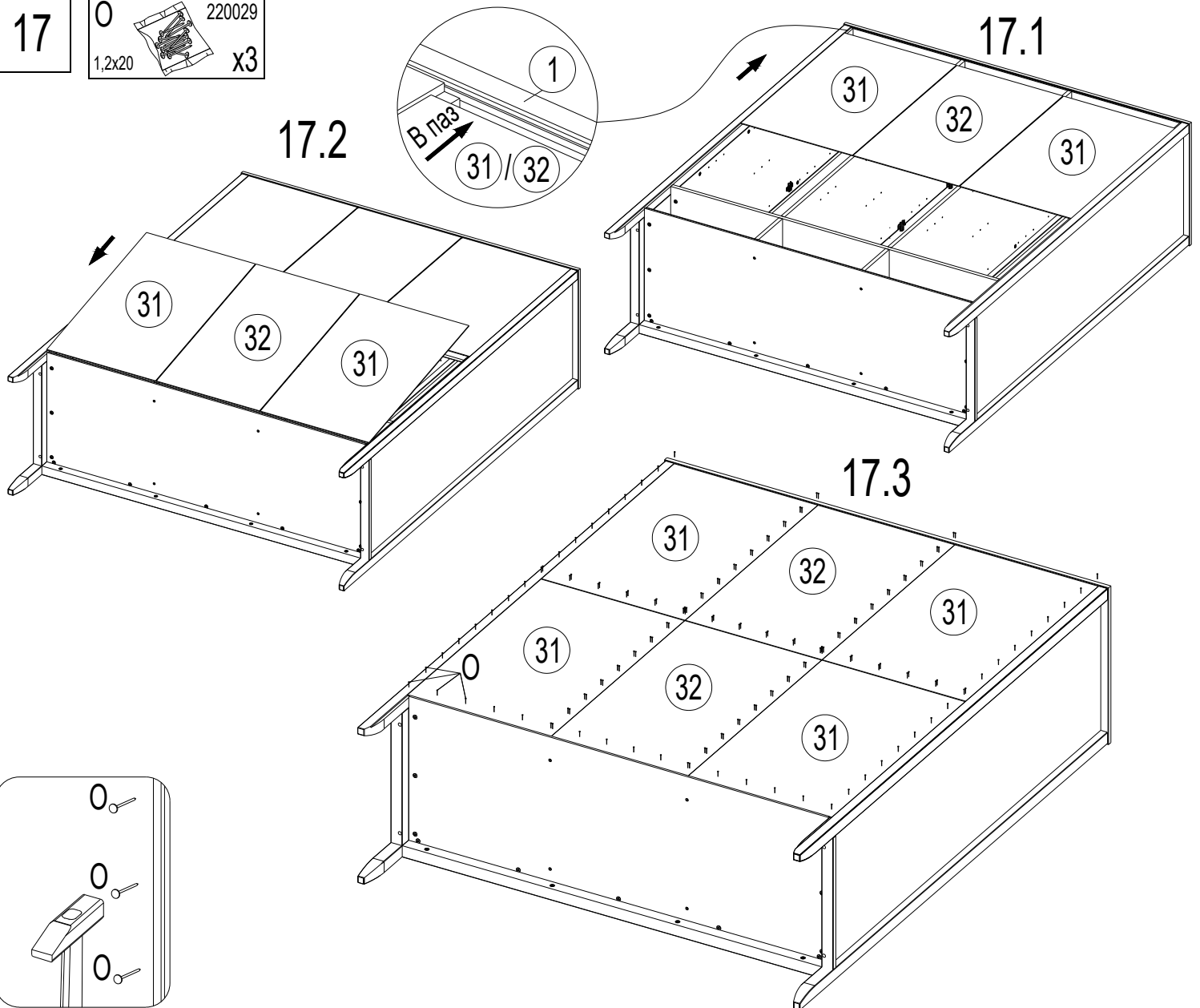
16a

B 030110
x12

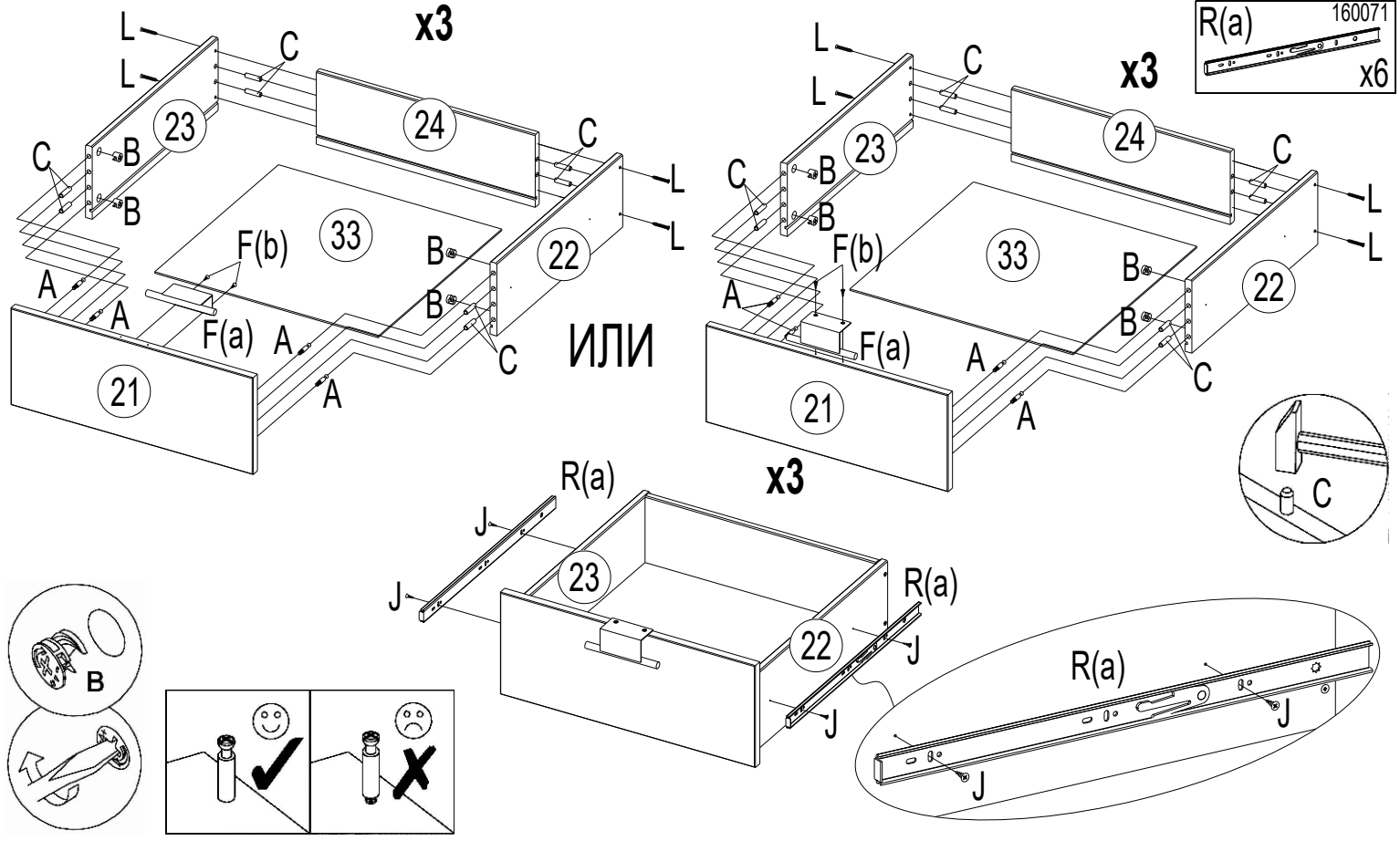


17

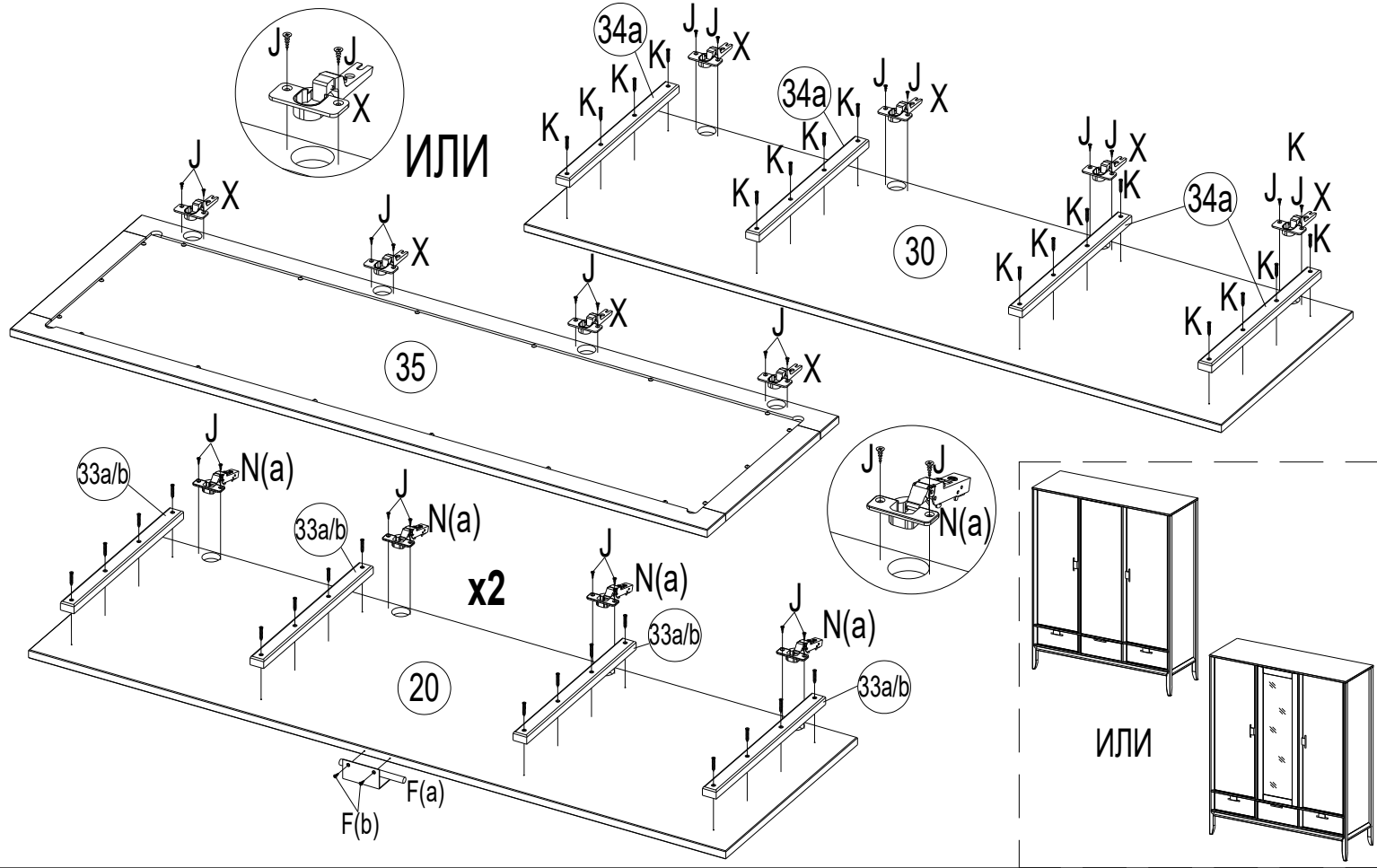
0 220029
1,2x20 x3



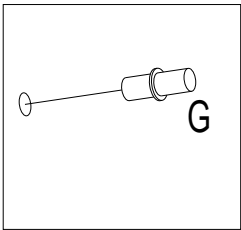
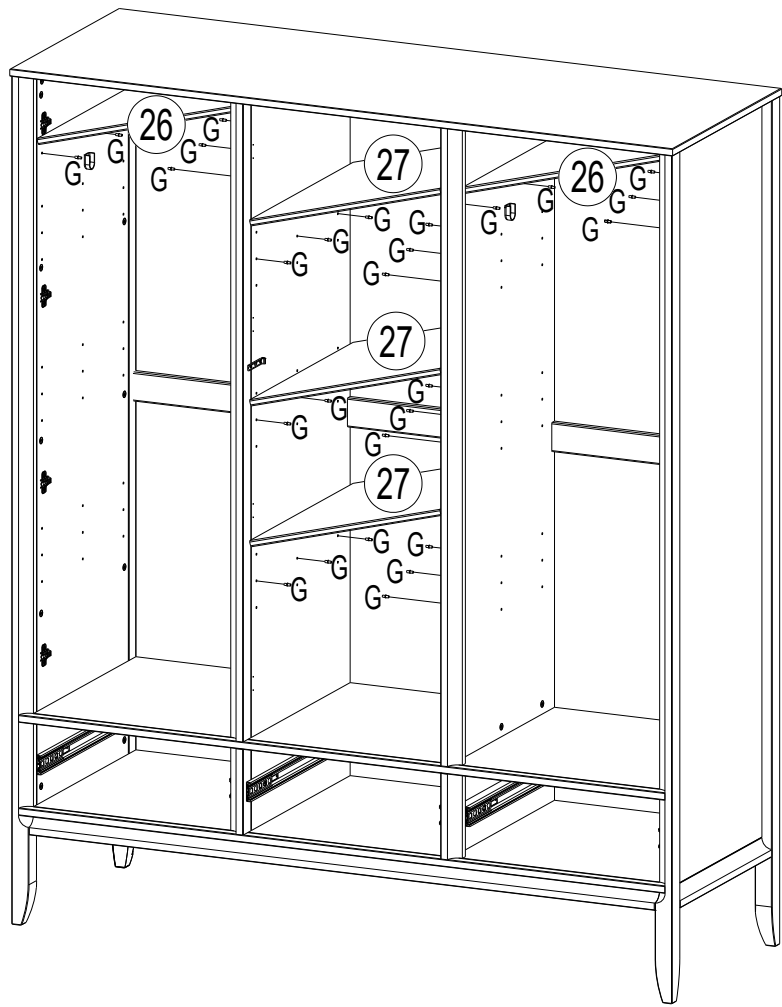
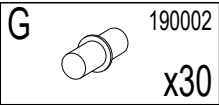
- 18** A 030093 x12 B 030110 x12 C 230010 8x32 x24 F a) 210141 b) x3 J 250012 3,5x15 x12 L 250024 3,5x35 x12 R(a) 160071 x6



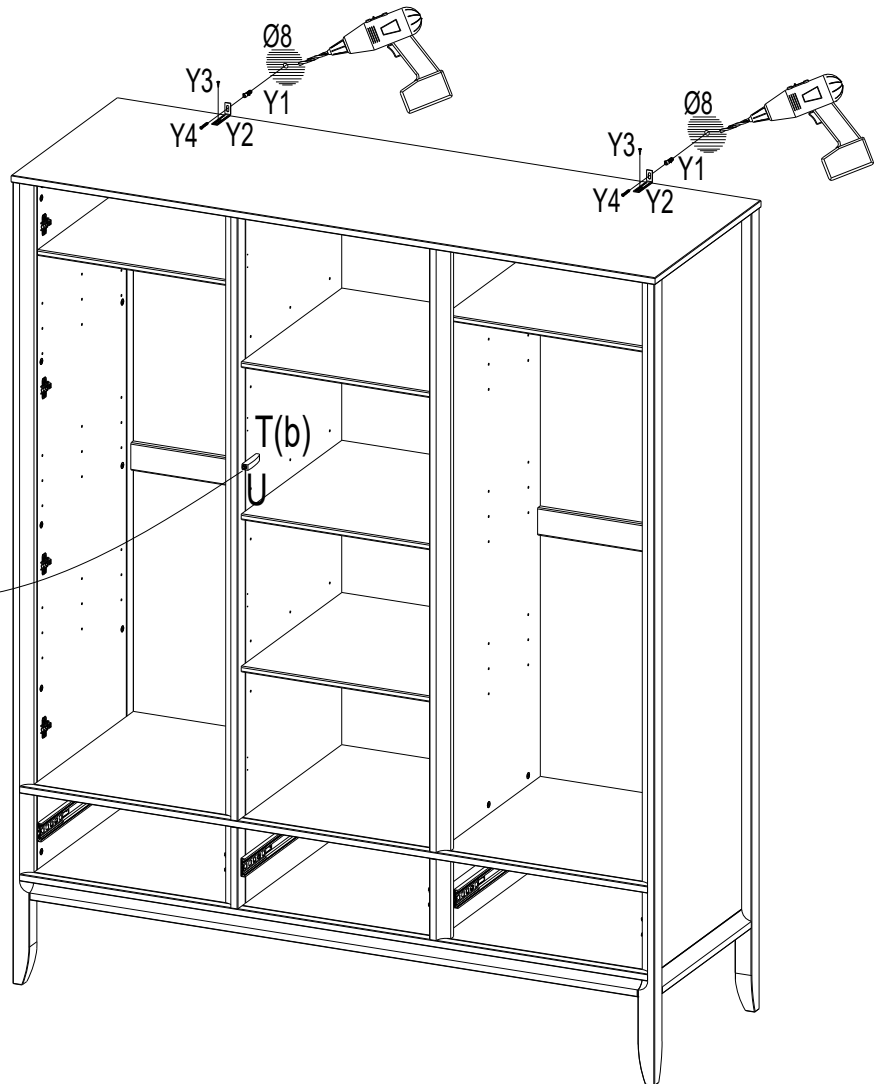
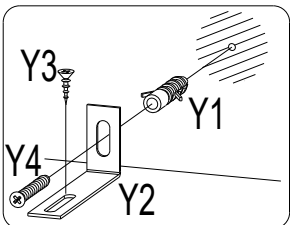
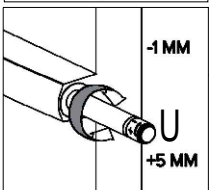
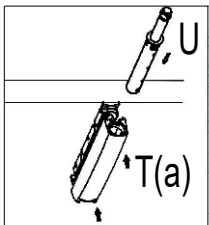
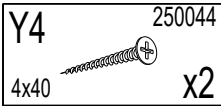
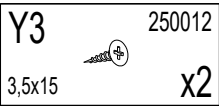
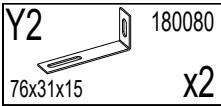
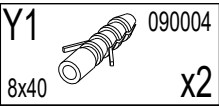
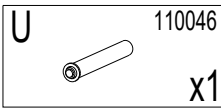
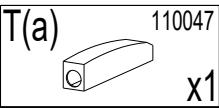
- 19** F a) 210141 b) x2 J 250012 3,5x15 x24 K 250021 3,5x30 x48 N(a) 180123 x8 X 180060 x4



20a



21a

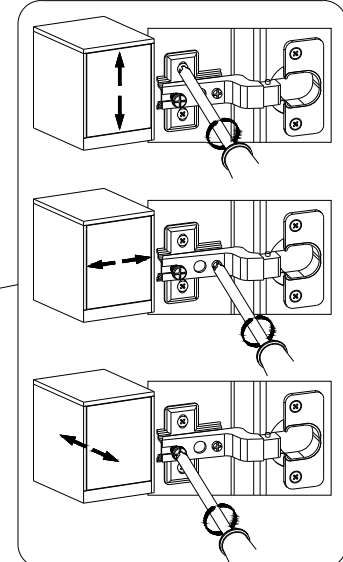
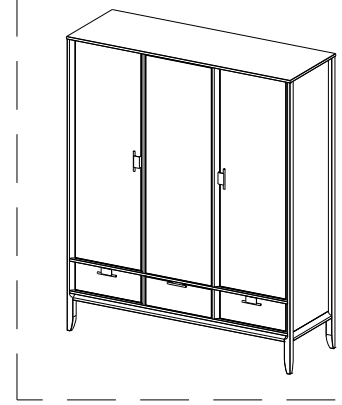
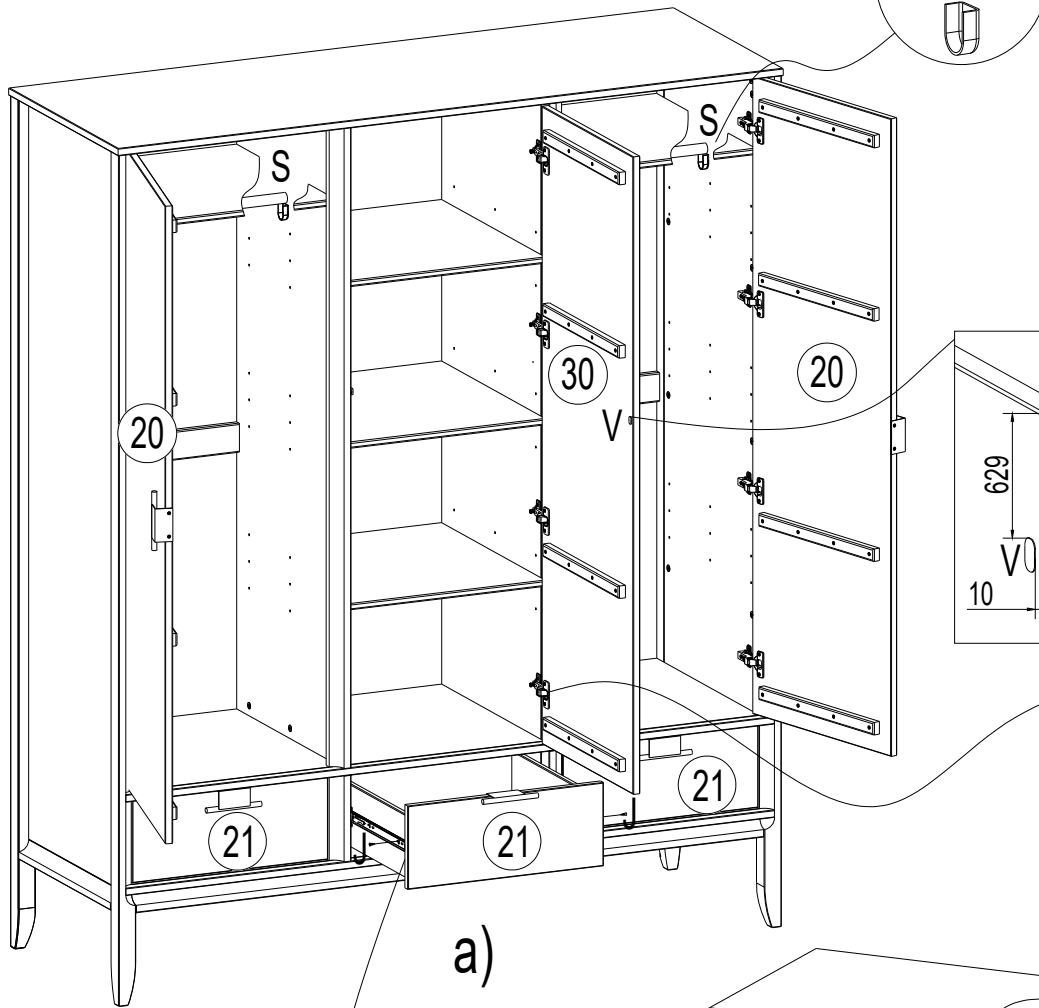


22

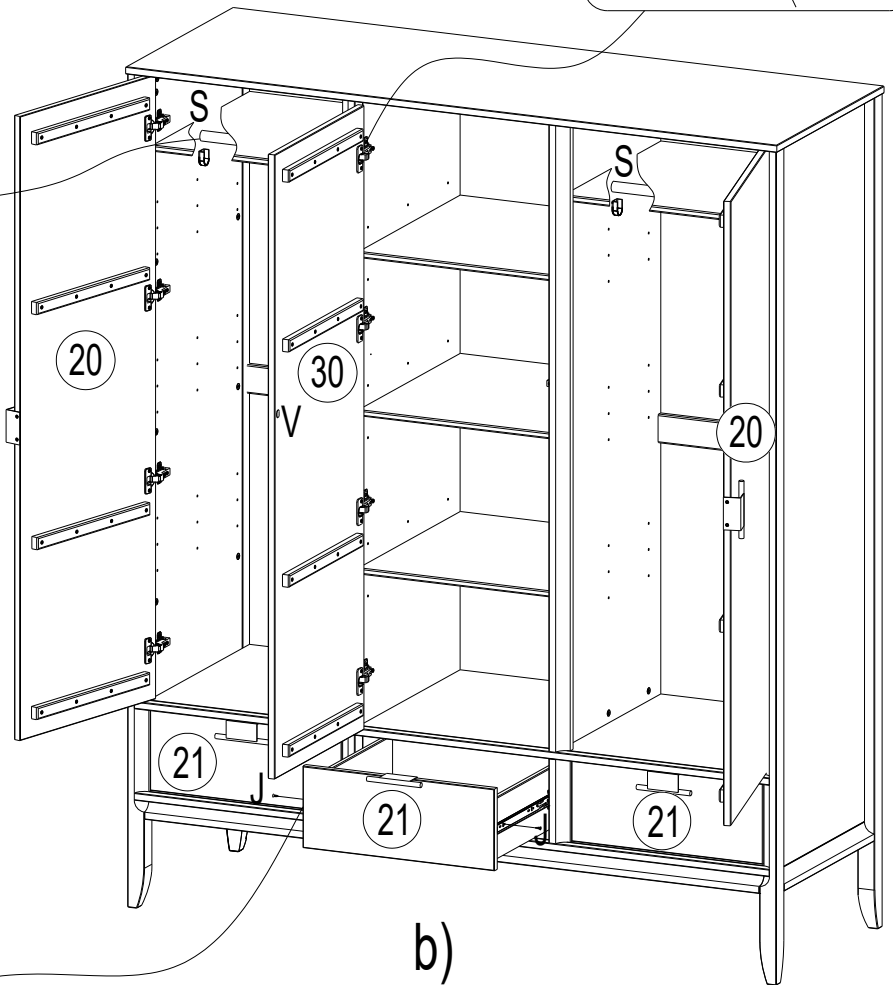
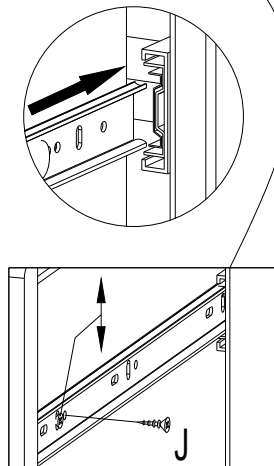
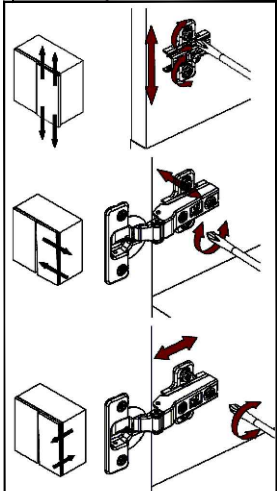
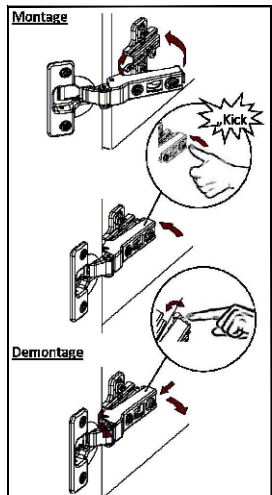
J 250012
3,5x15 x6

S 526
025 x2

V 110048
x1



a)



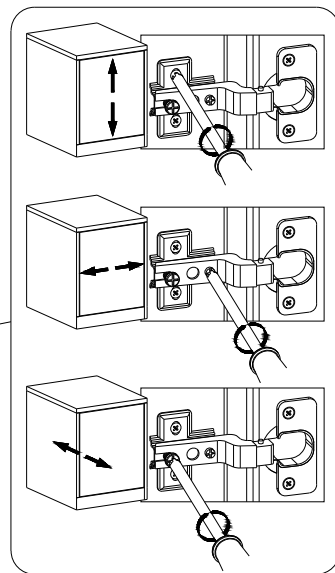
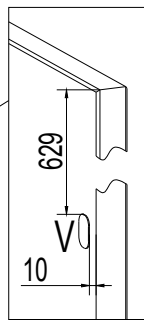
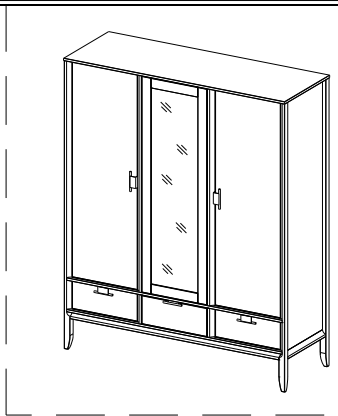
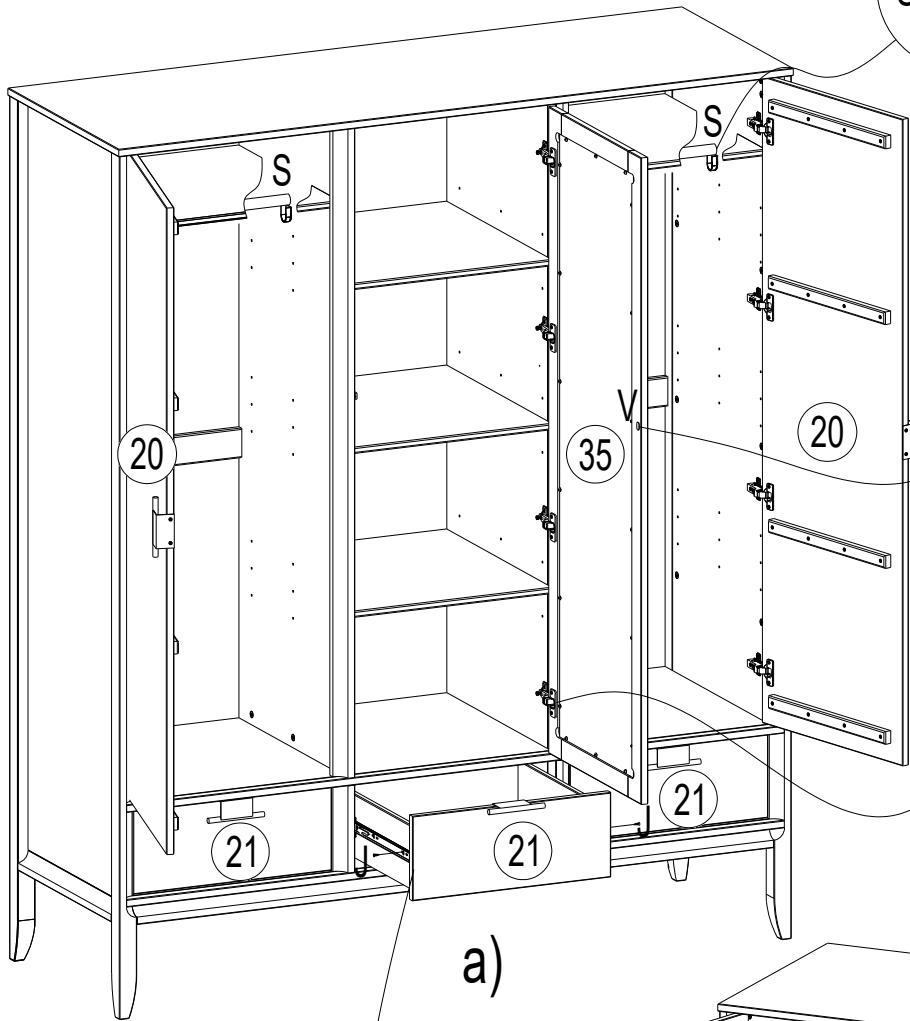
b)

22

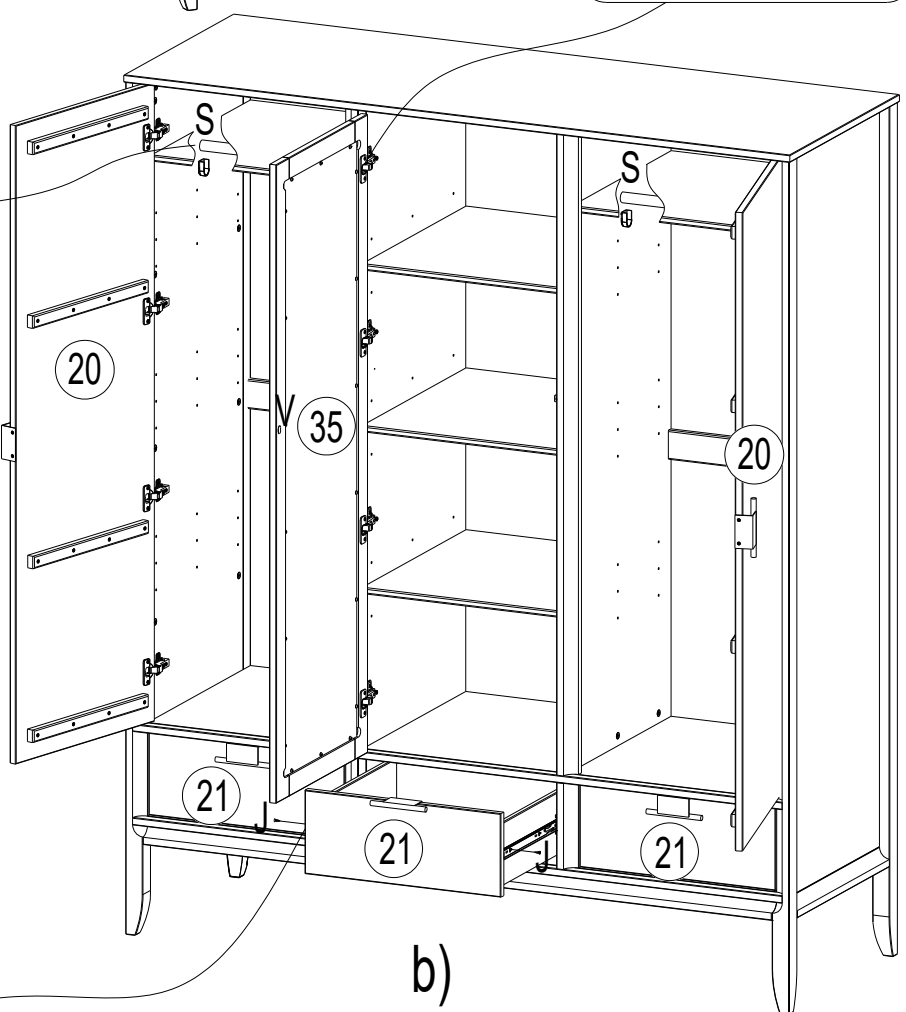
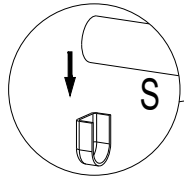
J 250012
3,5x15 x6

S 526
2x2

V 110048
x1



a)



b)

