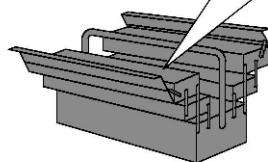
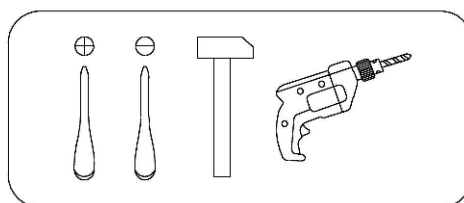
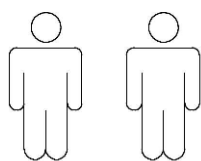
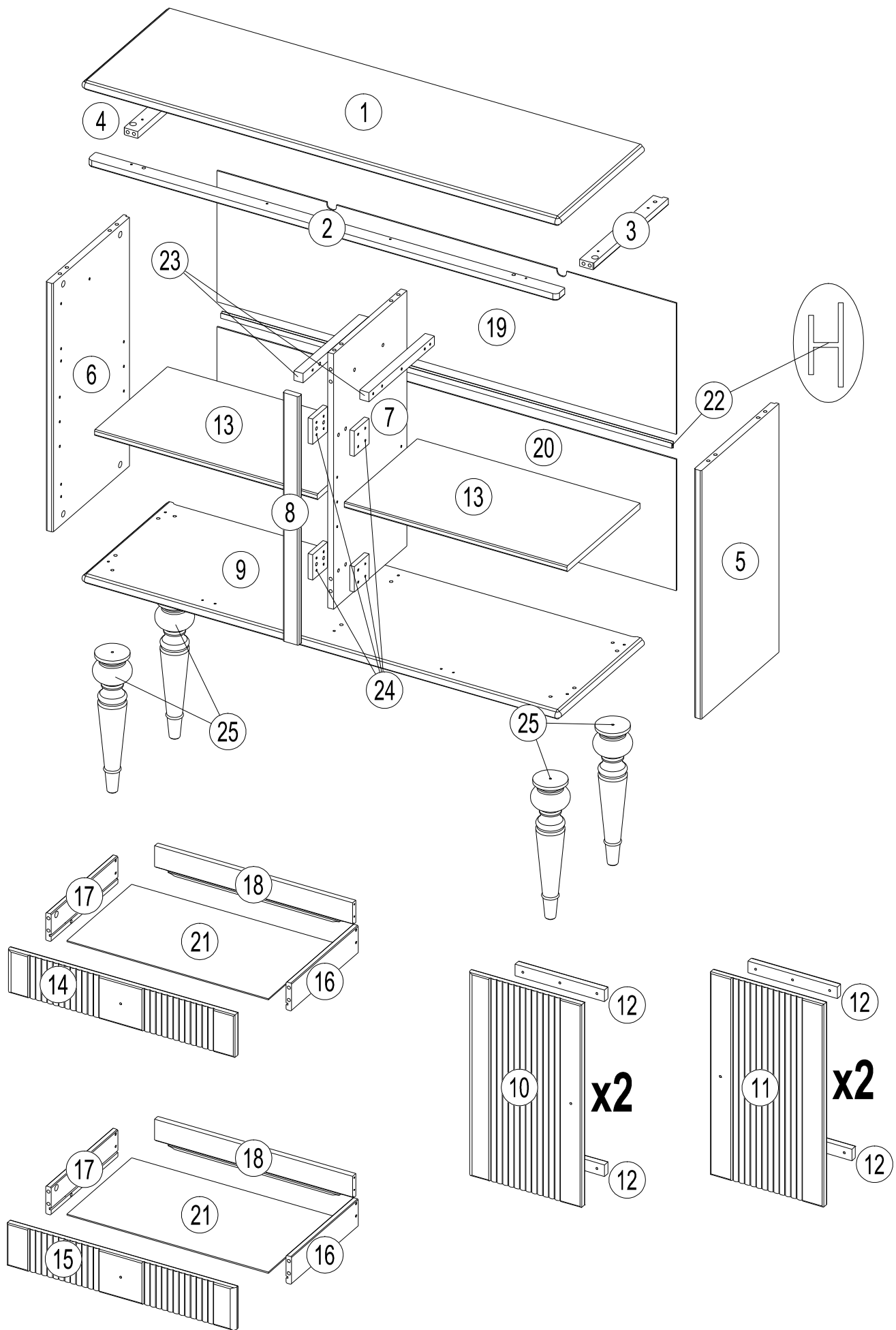
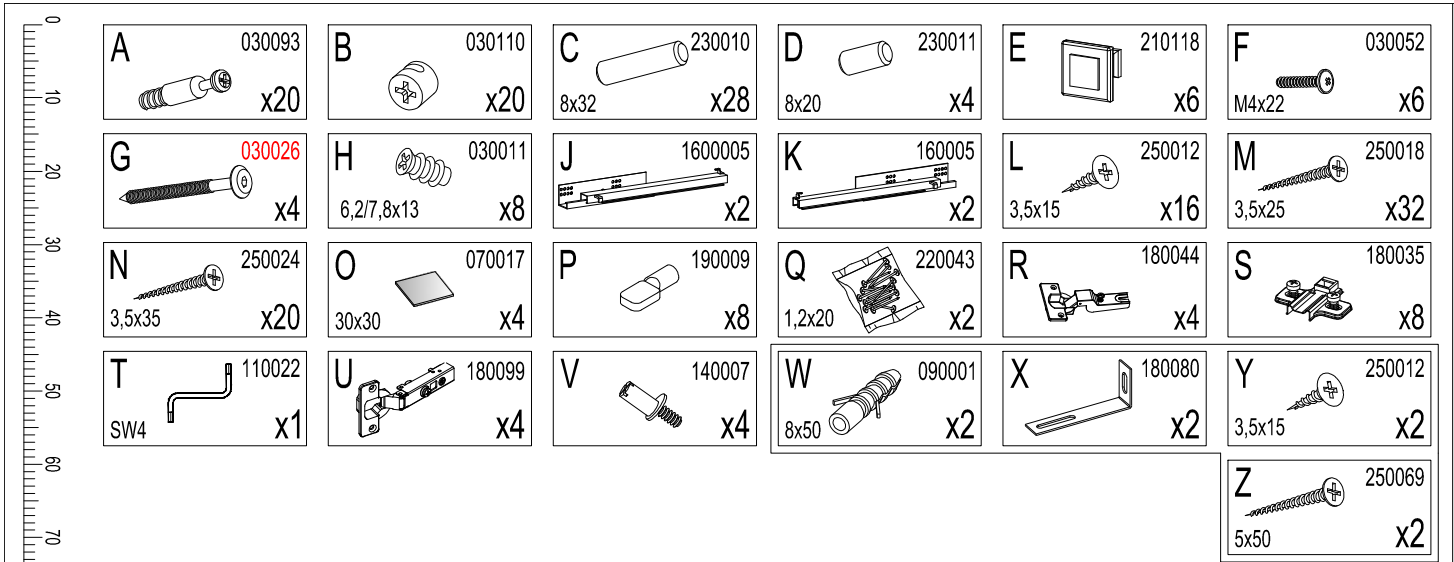


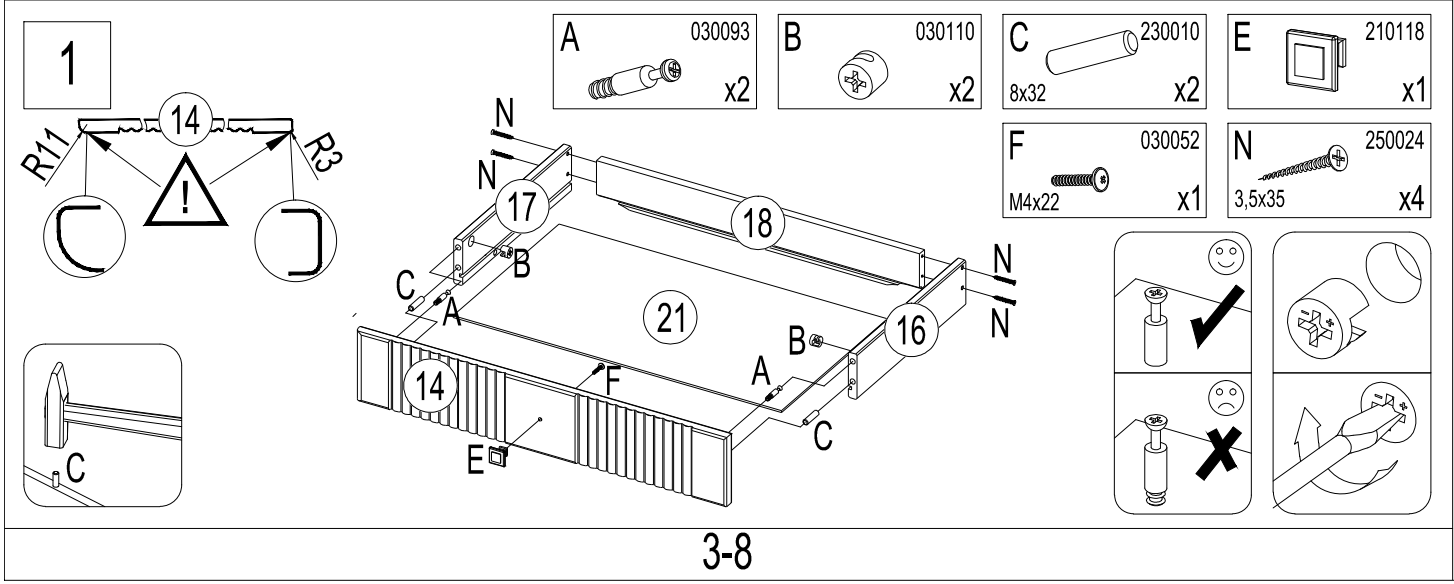
- | | | | |
|-----------|------------------------------------|-----------|--------------------------------|
| D | Montageanleitung | GB | Assembly instructions |
| FR | Notice de montage | IT | Istruzioni di montaggio |
| NL | Handleiding voor de montage | PL | Instrukcja montażu |
| CZ | Montážní návod | SK | Návod na montáž |
| HU | Szerelési útmutató | RO | Instruktluni de montaj |
| TR | Montaj talimatı | RU | Инструкция по монтажу |





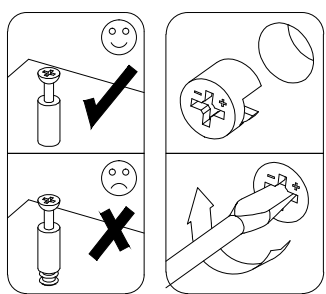
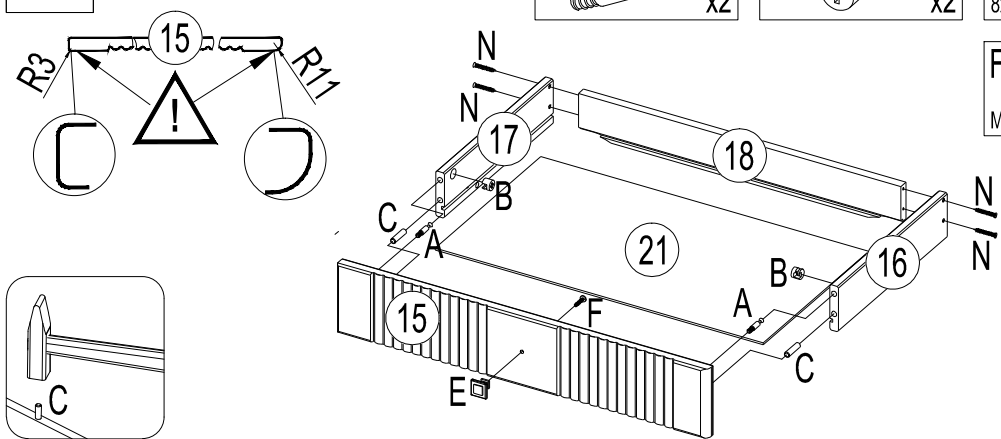


No	Size/MaB (mm)	Qty	✓	No	Size/MaB (mm)	Qty	✓
1	1243x384x24	1		14	591x110x18	1	
2	1219x36x18	1		15	591x110x18	1	
3	336x36x18	1		16	300x72x14	2	
4	336x36x18	1		17	300x72x14	2	
5	645x349x18	1		18	514x64x14	2	
6	645x349x18	1		19	1192x340,5x3	1	
7	663x329x15	1		20	1192x340,5x3	1	
8	645x40x15	1		21	523x292x3	2	
9	1243x384x24	1		22	1171x17x7	1	
10	526x294x18	2		23	294x24x24	2	
11	526x294x18	2		24	66x66x12	4	
12	232x30x18	8		25	360x90x90	4	
13	578x328x15	2					



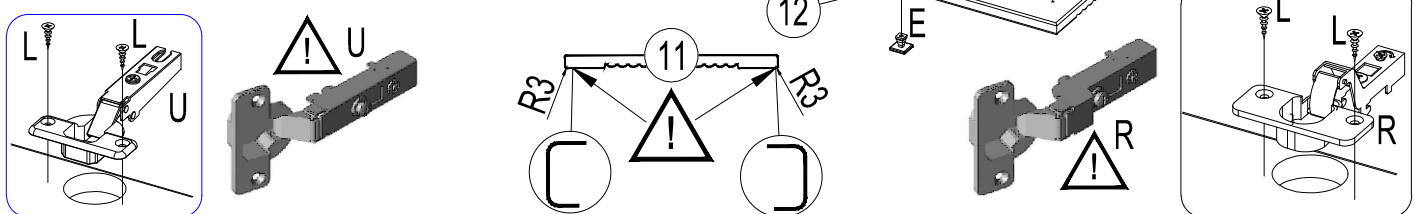
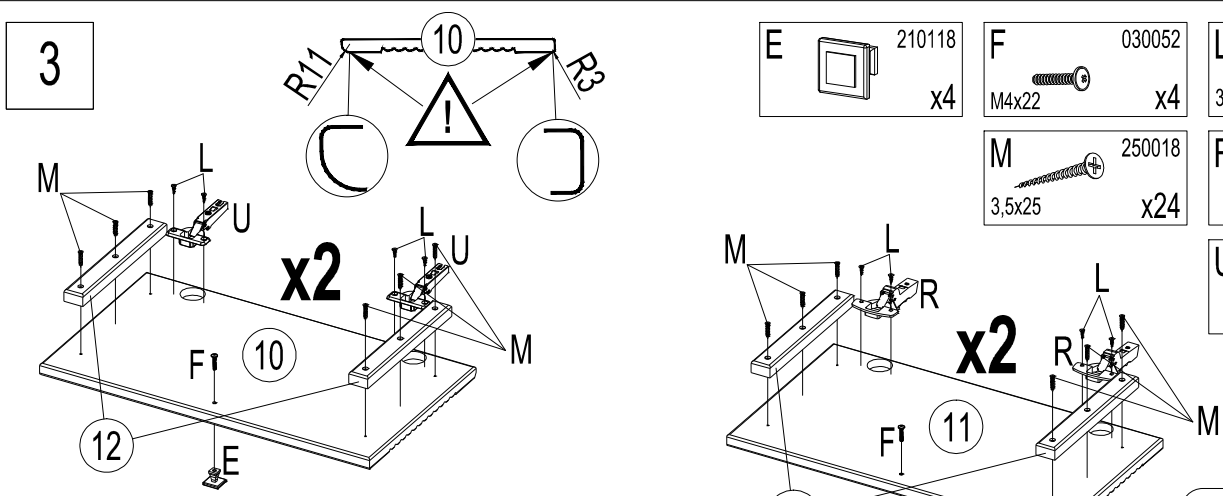
2

- A 030093 x2
- B 030110 x2
- C 230010 8x32 x2
- E 210118 x1
- F 030052 M4x22 x1
- N 250024 3,5x35 x4



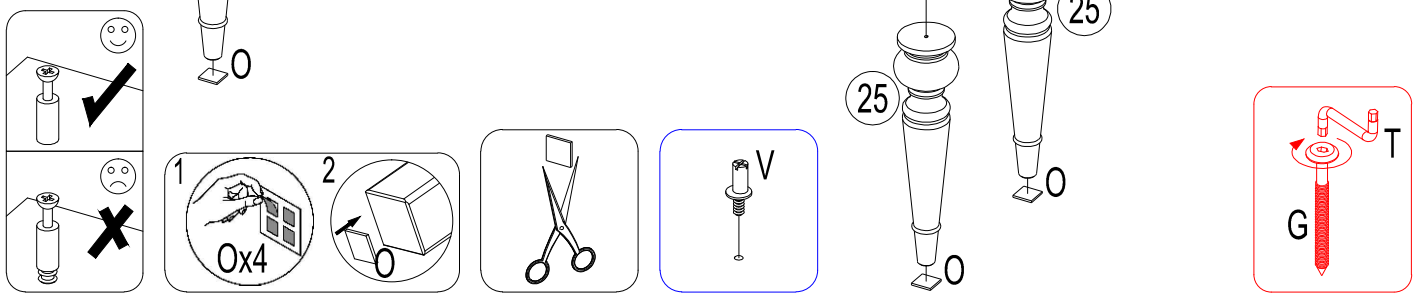
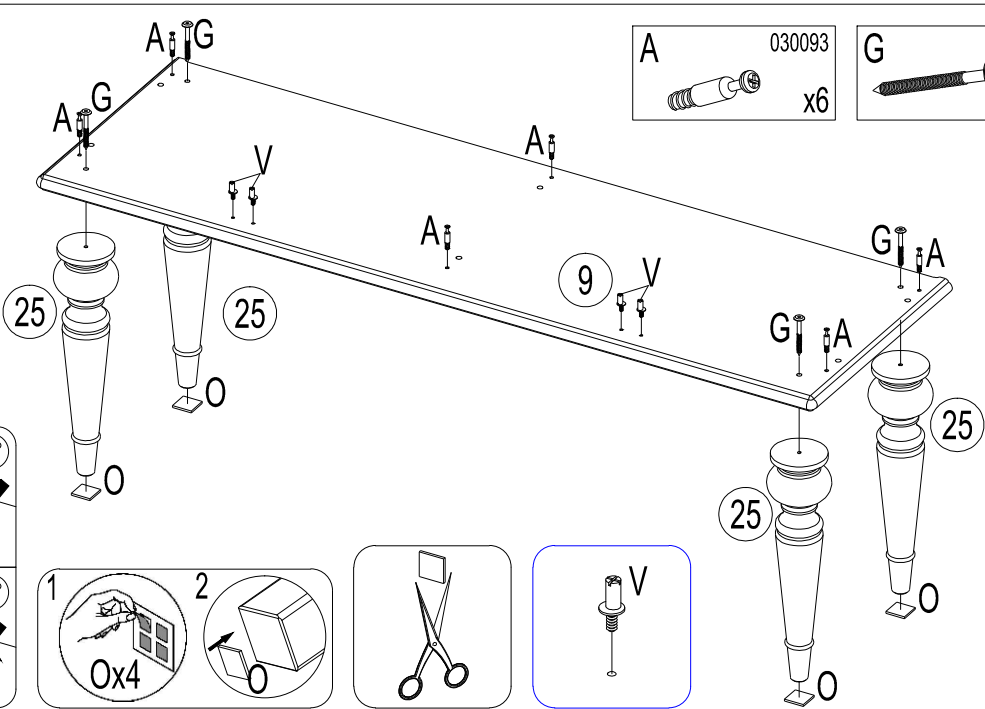
3

- E 210118 x4
- F 030052 M4x22 x4
- L 250012 3,5x15 x16
- M 250018 3,5x25 x24
- R 180099 x4
- U 180099 x4

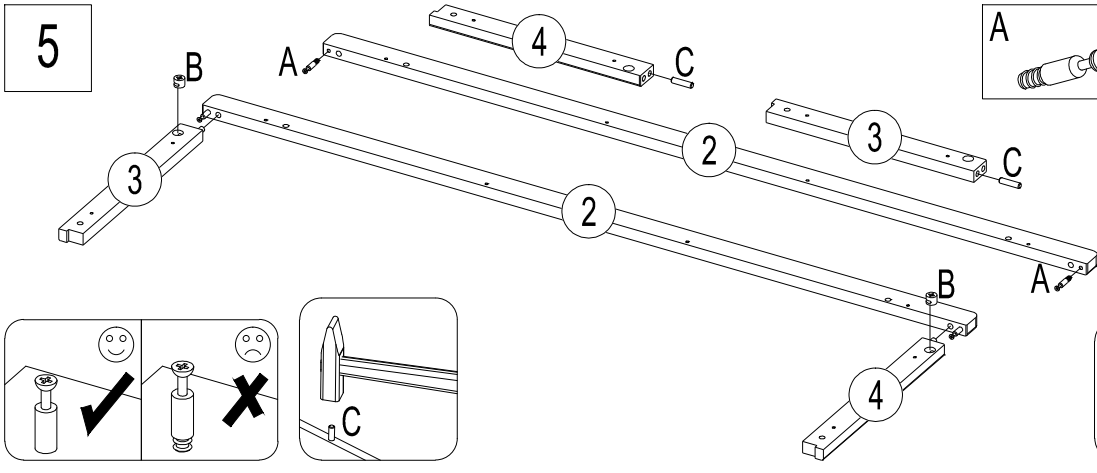


4

- A 030093 x6
- G 030026 x4
- O 070017 30x30 x4
- T 110022 SW4 x1
- V 140007 x4



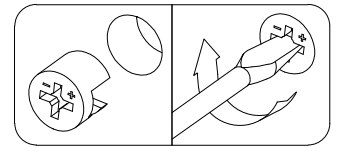
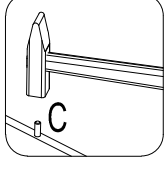
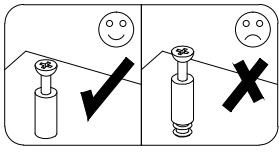
5



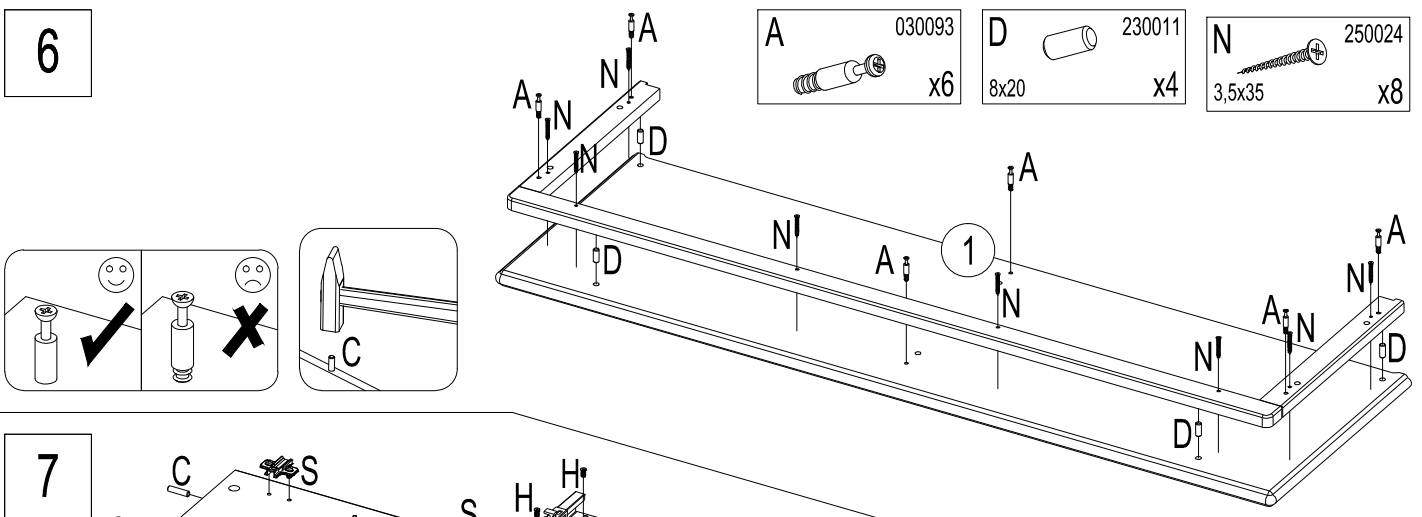
A 030093 x2

B 030110 x2

C 230010 8x32 x2



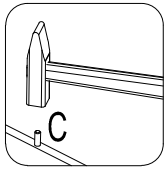
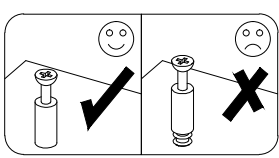
6



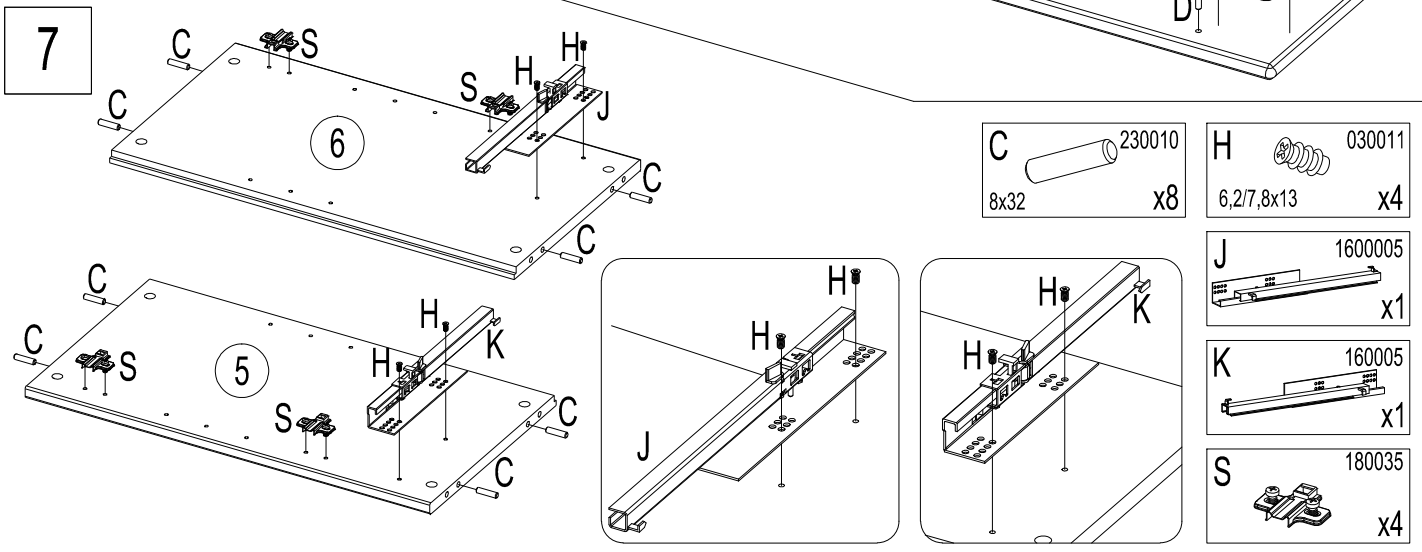
A 030093 x6

D 230011 8x20 x4

N 250024 3,5x35 x8



7



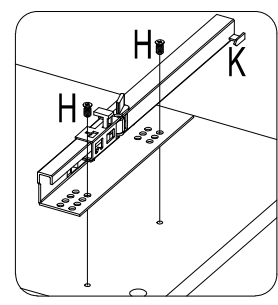
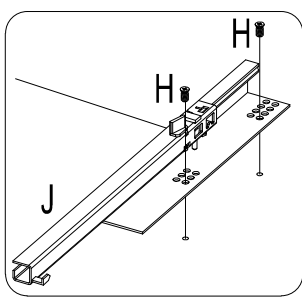
C 230010 8x32 x8

H 030011 6,2/7,8x13 x4

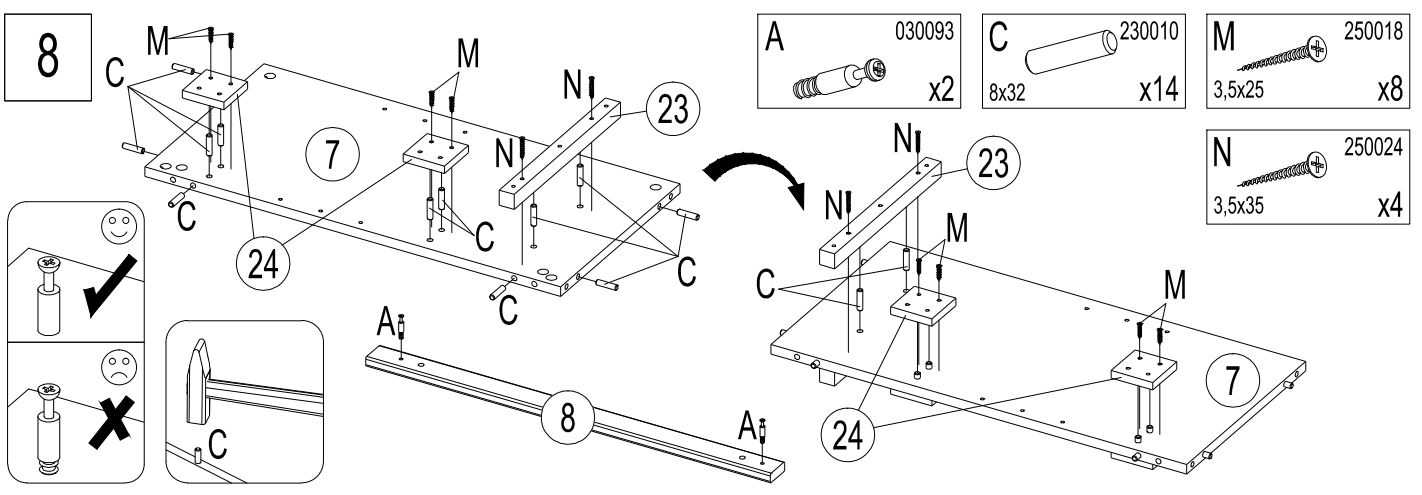
J 1600005 x1

K 1600005 x1

S 180035 x4



8

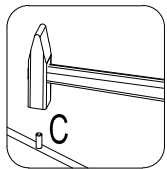
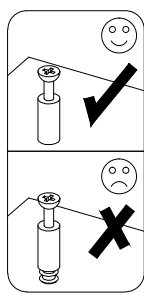


A 030093 x2

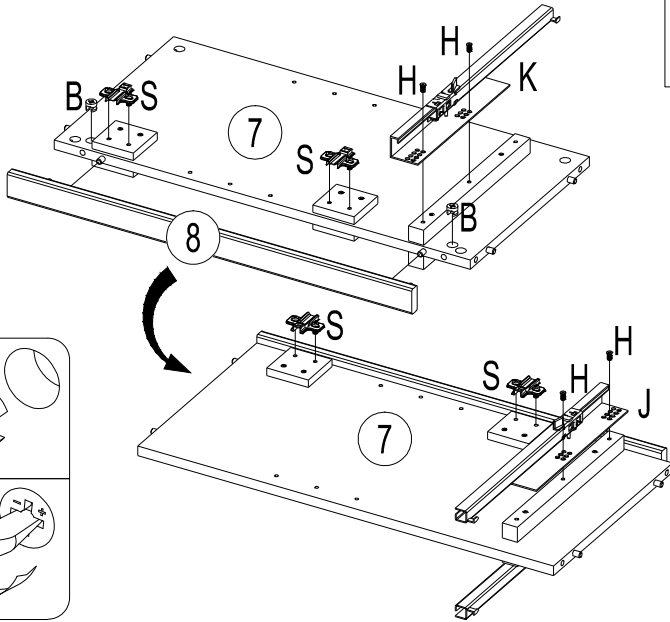
C 230010 8x32 x14

M 250018 3,5x25 x8

N 250024 3,5x35 x4



9



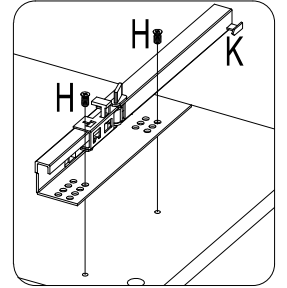
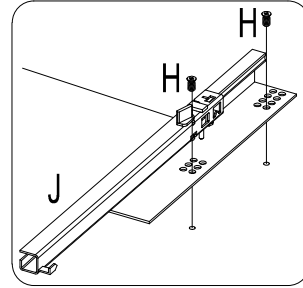
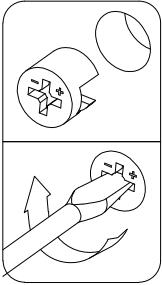
B 030110
x2

H 030011
6,2/7,8x13 x4

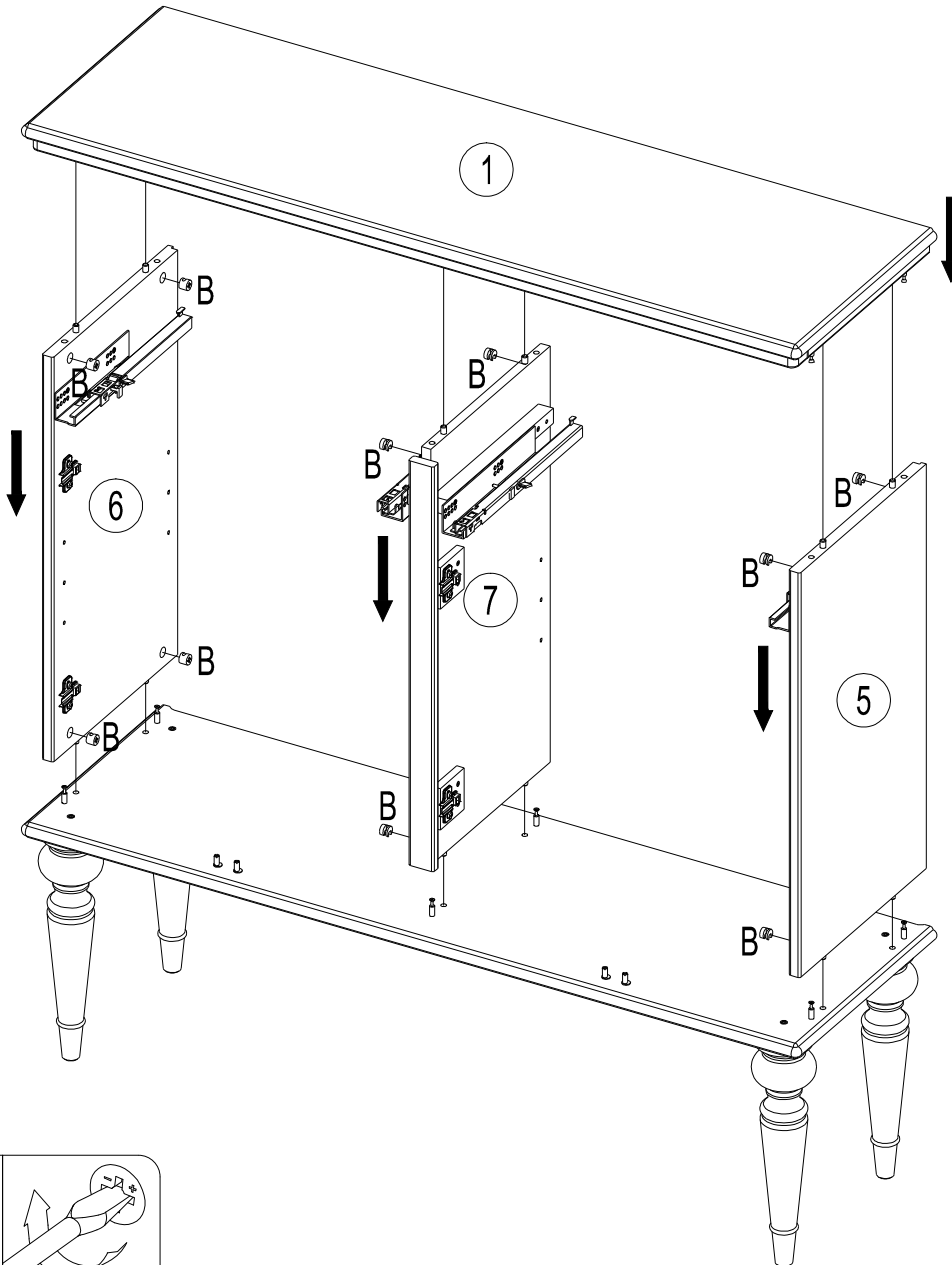
J 1600005
x1

K 1600005
x1

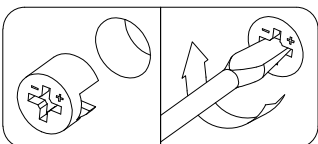
S 180035
x4



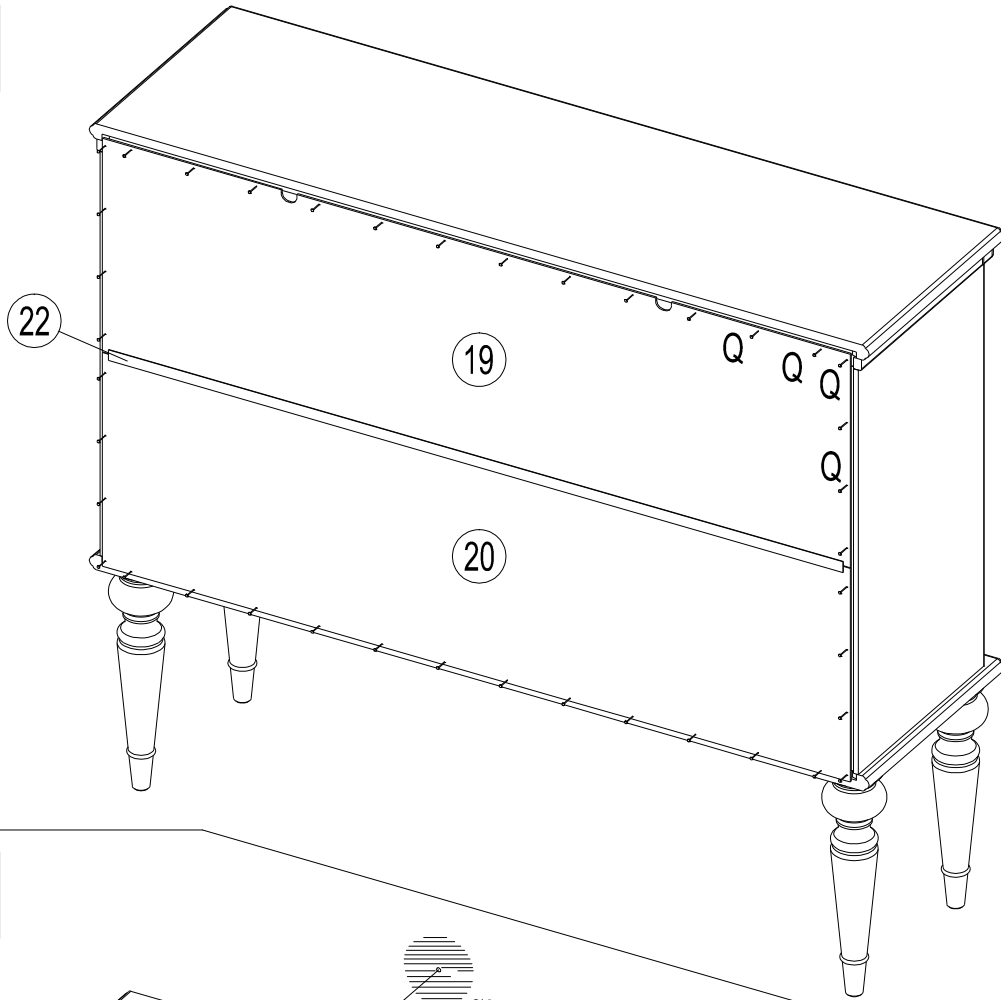
10



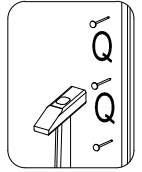
B 030110
x12



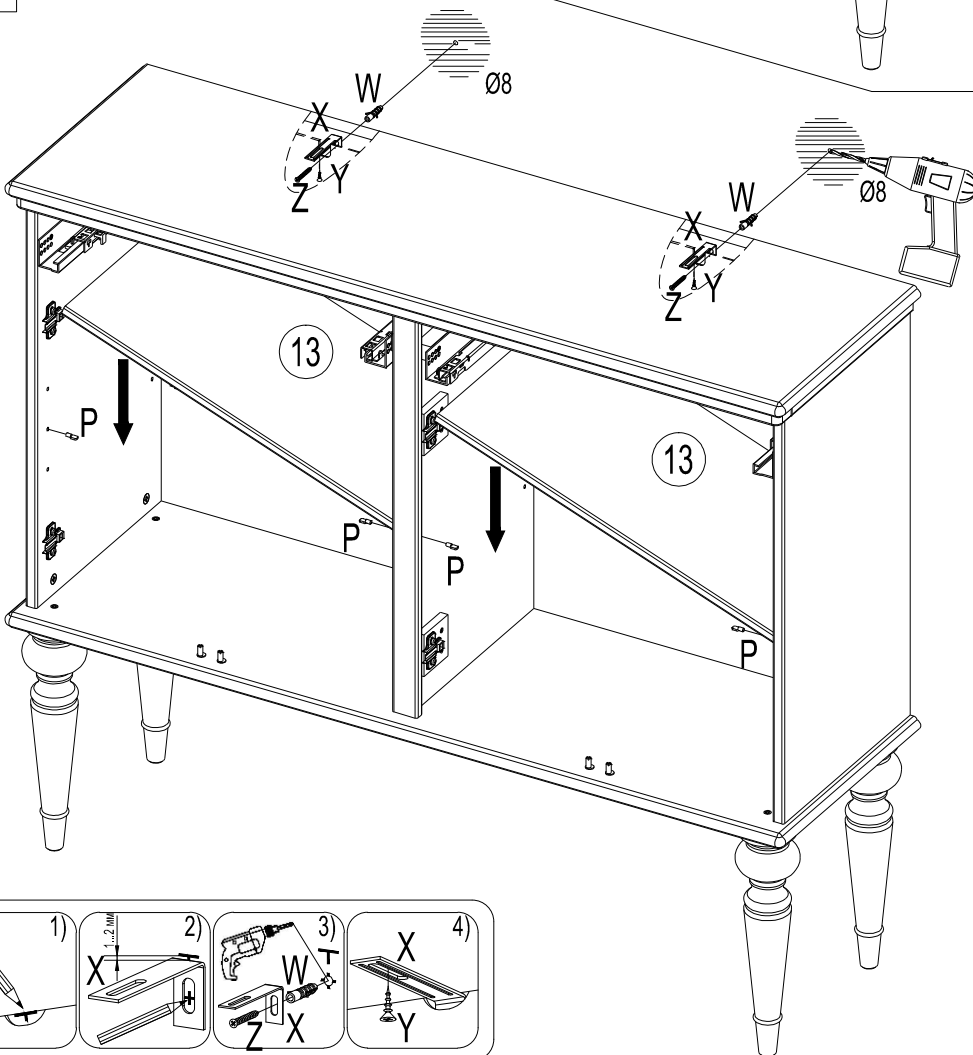
11



Q 220043
1,2x20 x2



12



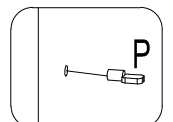
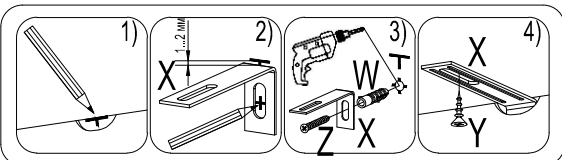
P 190009
x8

W 090001
8x50 x2

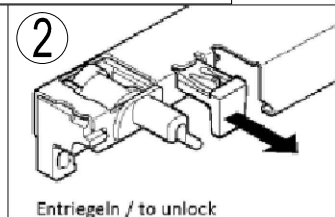
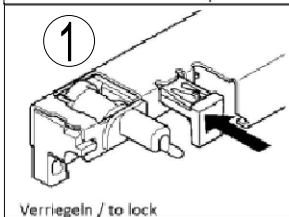
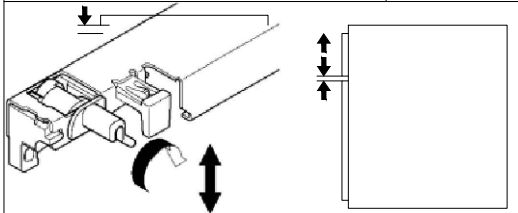
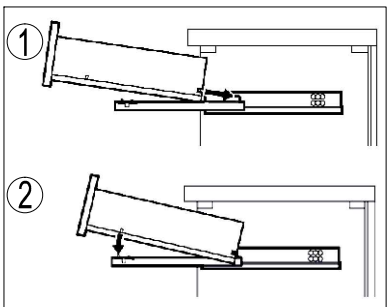
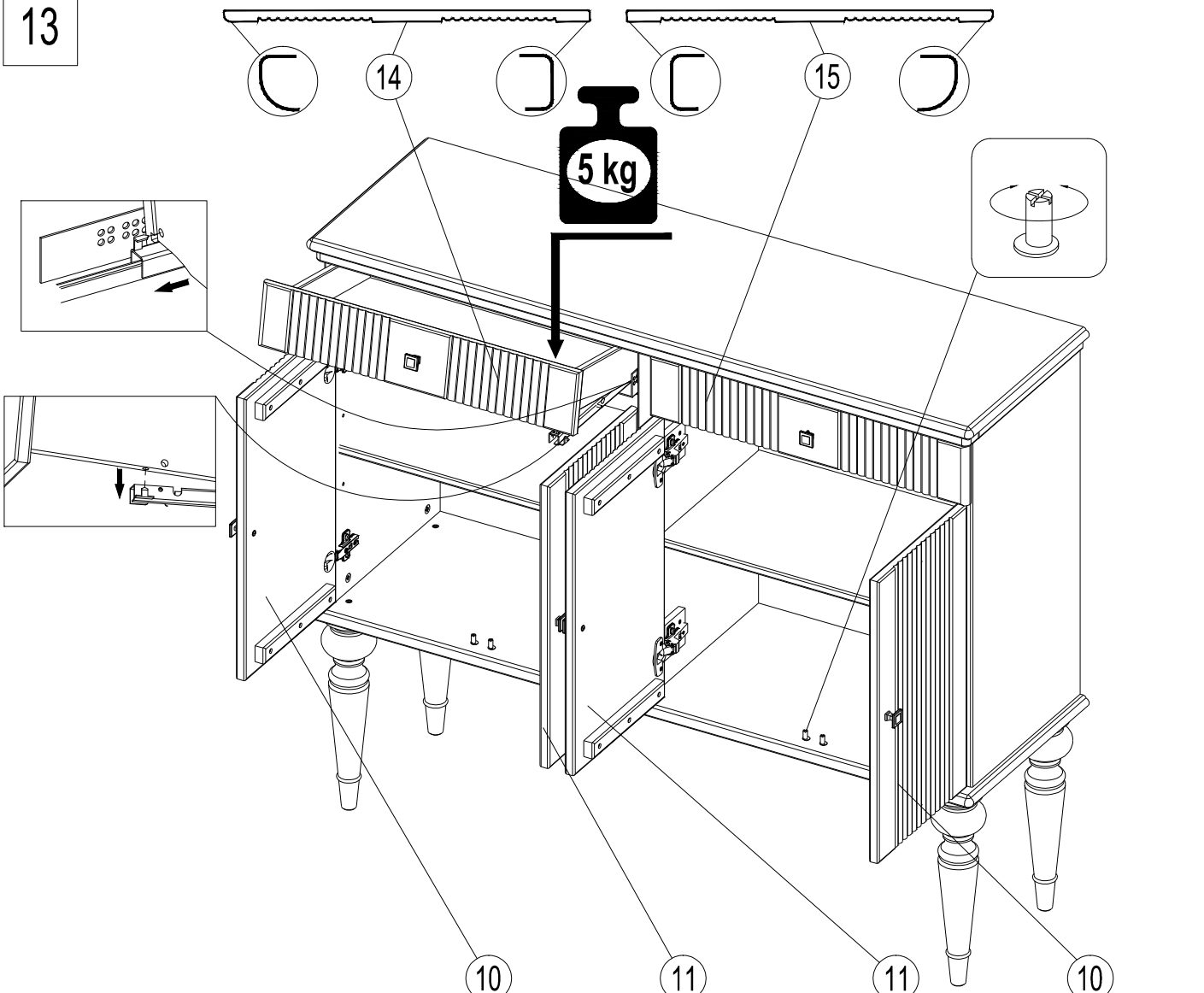
X 180080
x2

Y 250012
3,5x15 x2

Z 250069
5x50 x2



13



Verriegeln / to lock

Entriegeln / to unlock

