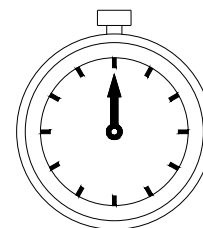
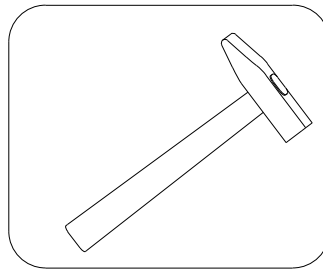
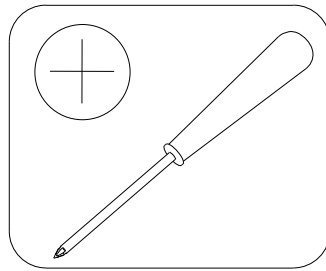
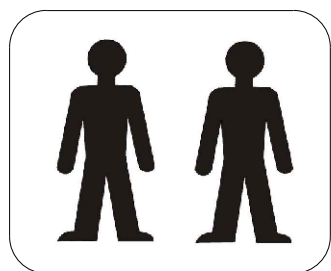
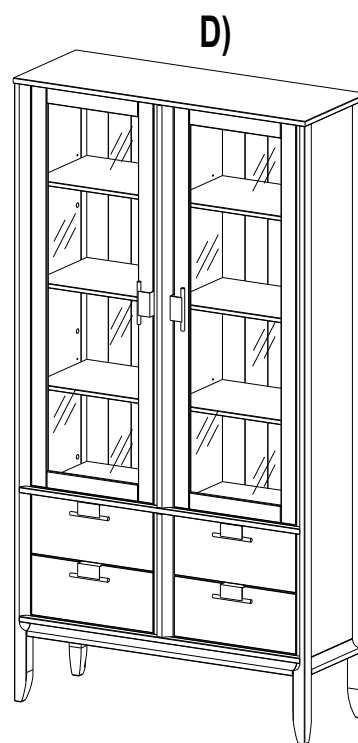
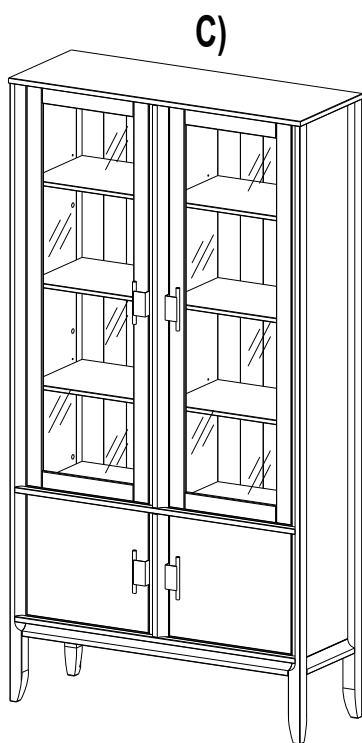
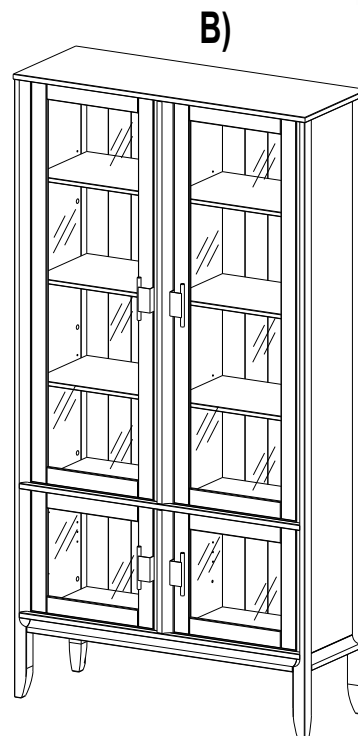
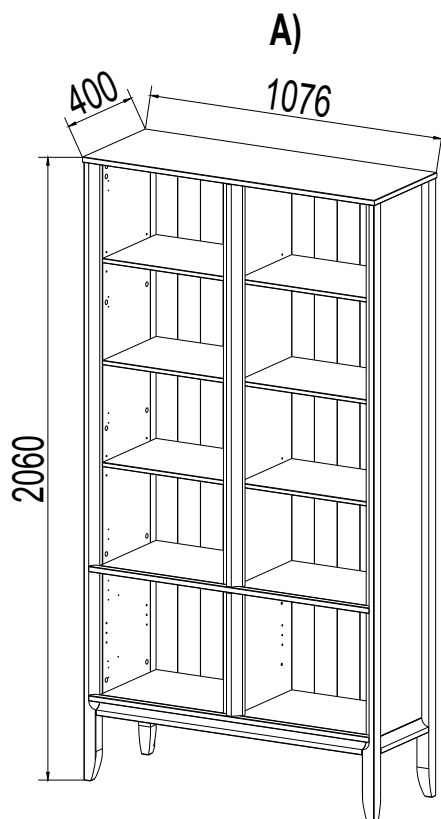


«SanRemi»

<https://sanremi-home.ru>

e-mail: sanremi@list.ru

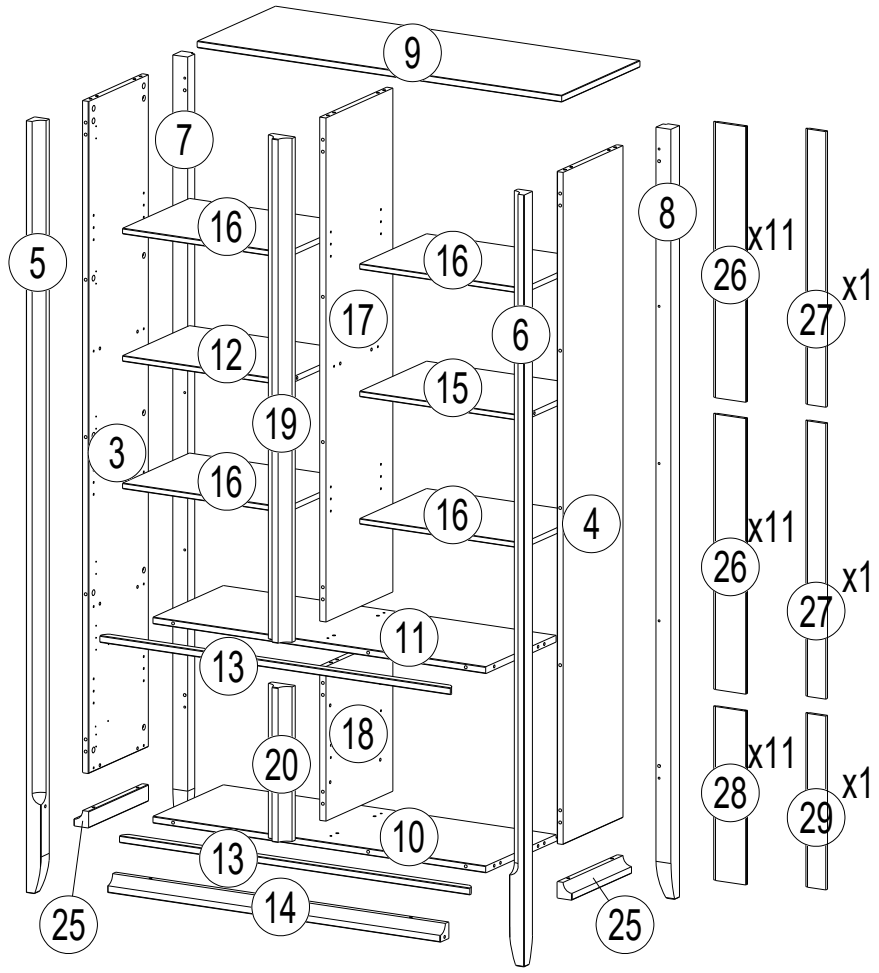
+7 (812) 920-36-23



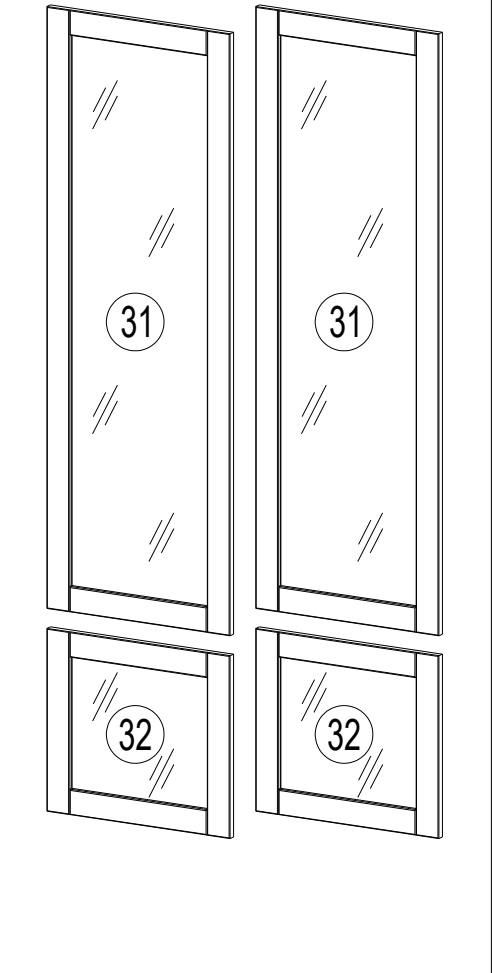
120 min

0
10
20
30
40
50
60
70
80
90
100
110
120
130
140
150
160
170
180

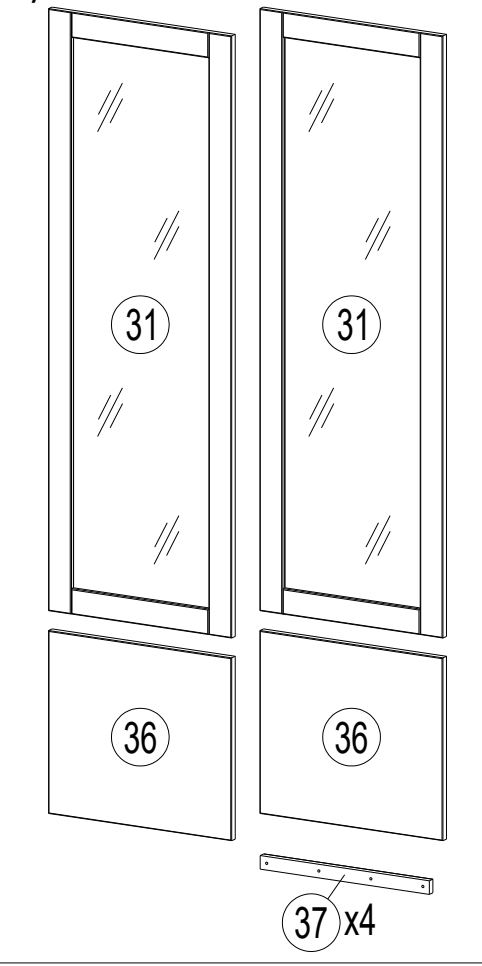
A)



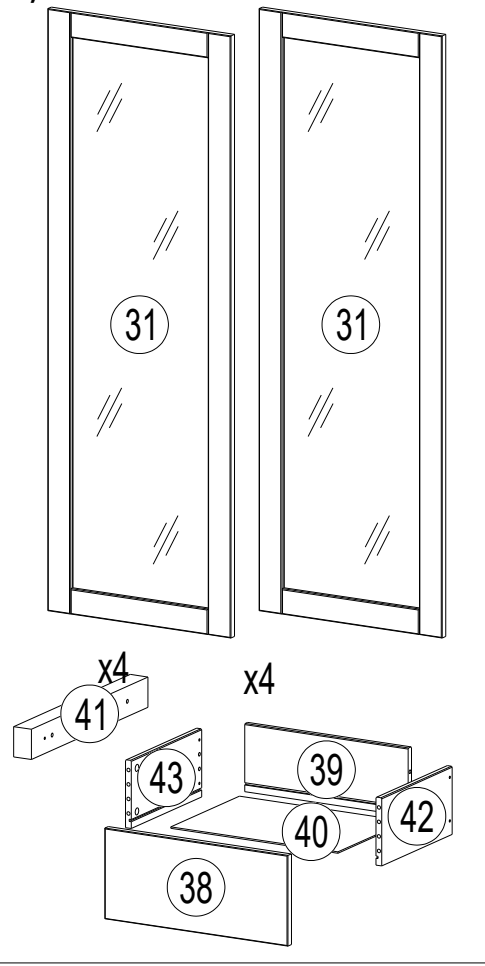
B)



C)



D)



A)

A 030093 x65	B 030110 x65	C 230010 8x32 x42	D 030033 7x50 x4	E 110022 SW4 x1	F 190002 x16
G 220043 1,2x20 x4	H 070017 30x30 x4	Q 100077 100078 x38	Z1 090004 8x40 x2	Z2 180080 76x31x15 x2	Z3 250012 3,5x15 x2

B) x 2

I a) b) 210141 x2	J 140007 x1	K 250012 3,5x15 x24	M b) a) 180123 x6	Z4 250044 4x40 x2
-----------------------------------	--------------------------	-------------------------------------	-----------------------------------	-----------------------------------

C) x 2

I a) b) 210141 x2	J 140007 x1	K 250012 3,5x15 x24	L 250021 3,5x30 x8	M b) a) 180123 x6
-----------------------------------	--------------------------	-------------------------------------	------------------------------------	-----------------------------------

D) x 2

A 030093 x8	B 030110 x8	C 230010 8x32 x20	I a) b) 210141 x3	K 250012 3,5x15 x40	M b) a) 180123 x4
N 250024 3,5x35 x8	O 250044 4x40 x4	P P(a) P(b) 160064 x4			

A)

No	Size/MaB (mm)	Qty	✓	No	Size/MaB (mm)	Qty	✓
3	1778x306x18	1		15	482x342x15	1	
4	1778x306x18	1		16	482x342x15	4	
5	2042x44x44	1		17	1333x342x18	1	
6	2042x44x44	1		18	409x342x18	1	
7	2042x44x44	1		19	1333x70x44	1	
8	2042x44x44	1		20	409x70x44	1	
9	1076x400x18	1		25	306x44x44	2	
10	982x368x18	1		26	675x89x8	22	
11	982x360x18	1		27	675x78x8	2	
12	482x342x15	1		28	426x89x8	11	
13	1034x26x18	2		29	426x78x8	1	
14	982x44x44	1					

B) x 2

No	Size/MaB (mm)	Qty	✓	No	Size/MaB (mm)	Qty	✓
31	1327x450x18	1		32	403x450x18	1	

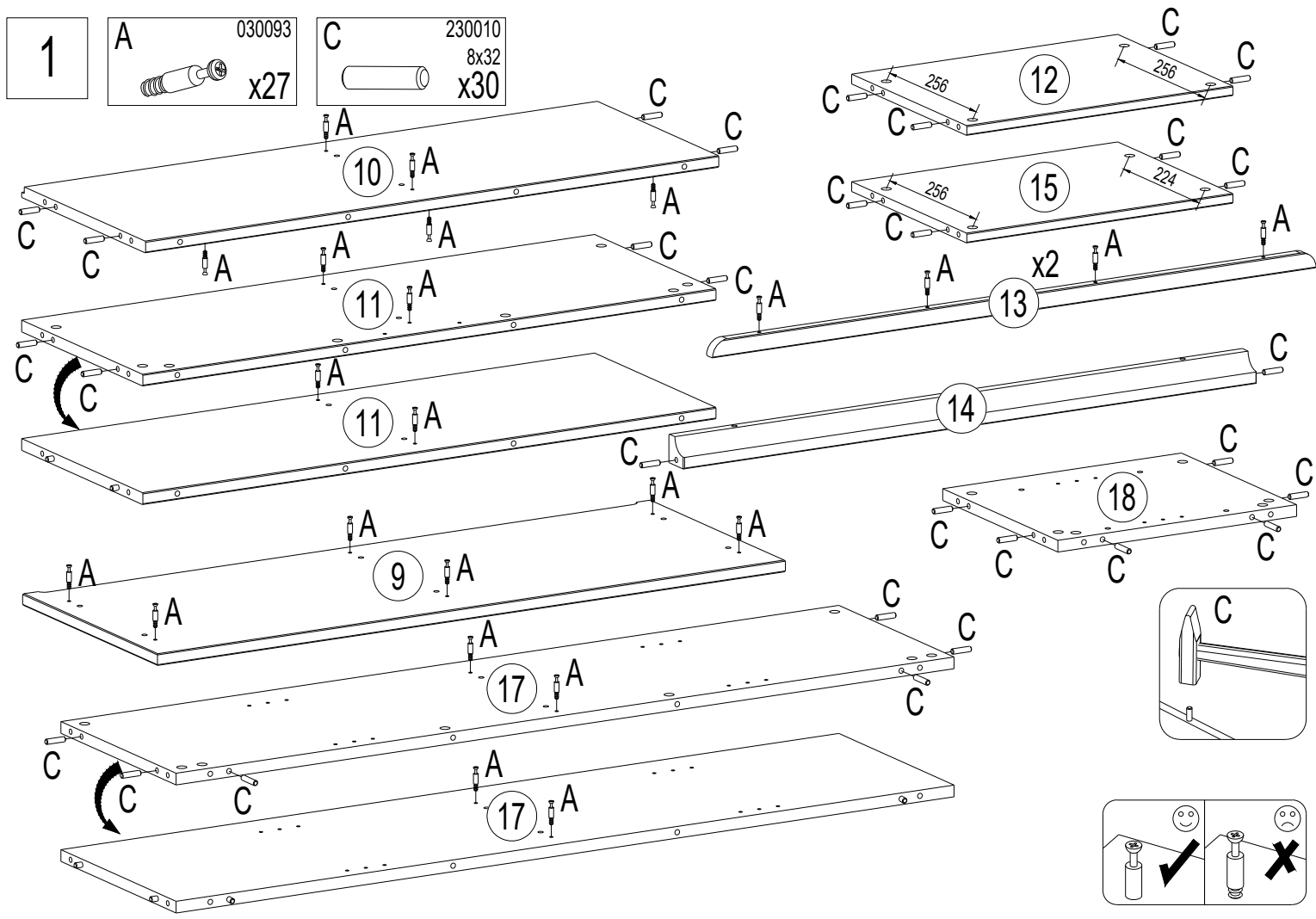
C) x 2

No	Size/MaB (mm)	Qty	✓	No	Size/MaB (mm)	Qty	✓
31	1327x450x18	1		37	416x30x18	2	
36	403x450x18	1					

D) x 2

No	Size/MaB (mm)	Qty	✓	No	Size/MaB (mm)	Qty	✓
31	1327x450x18	1		41	298x40x26	2	
38	450x200x18	2		42	300x150x14	2	
39	402x150x14	2		43	300x150x14	2	
40	411x292x3	2					

A)

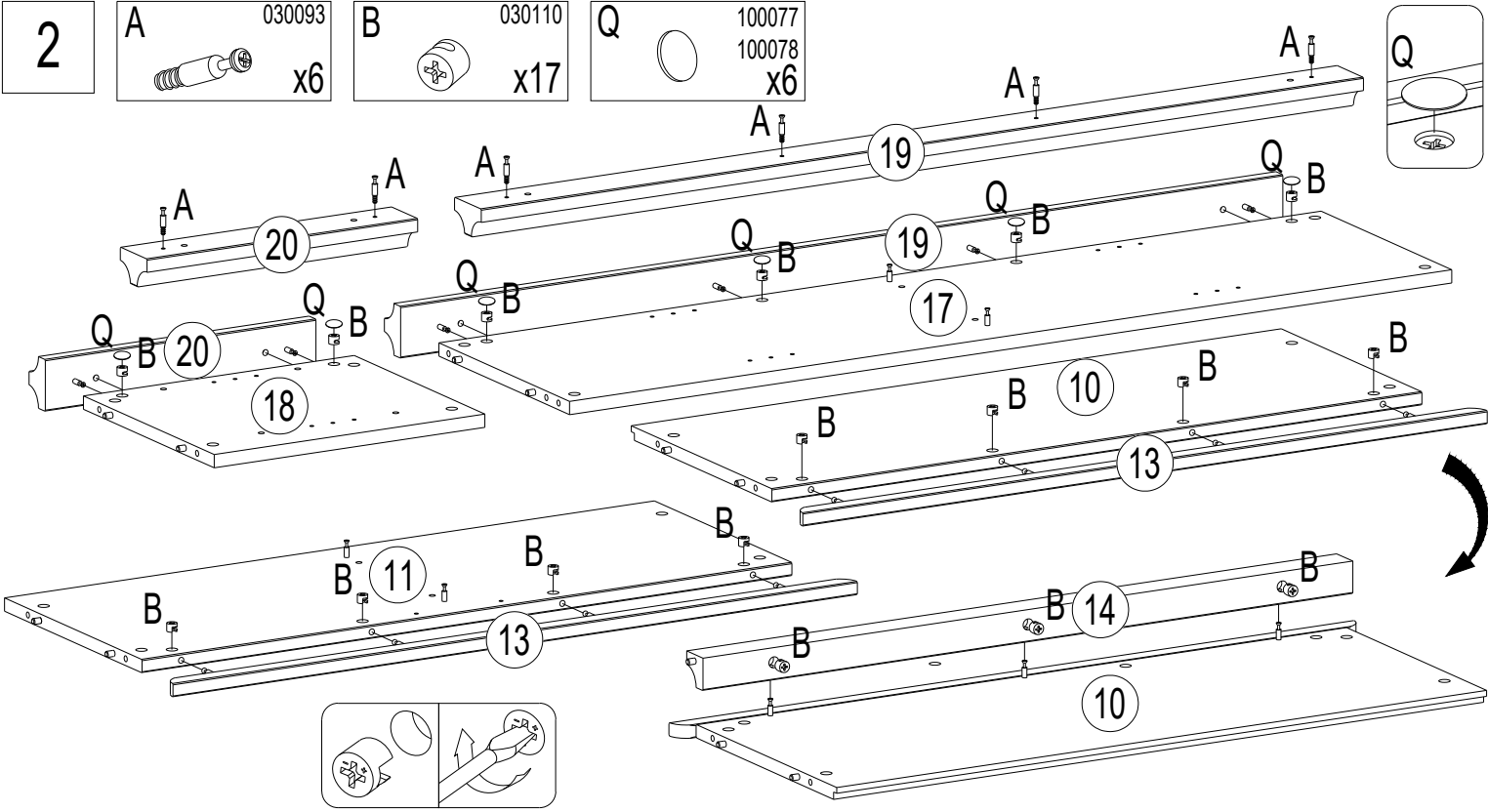


2

A 030093 x6

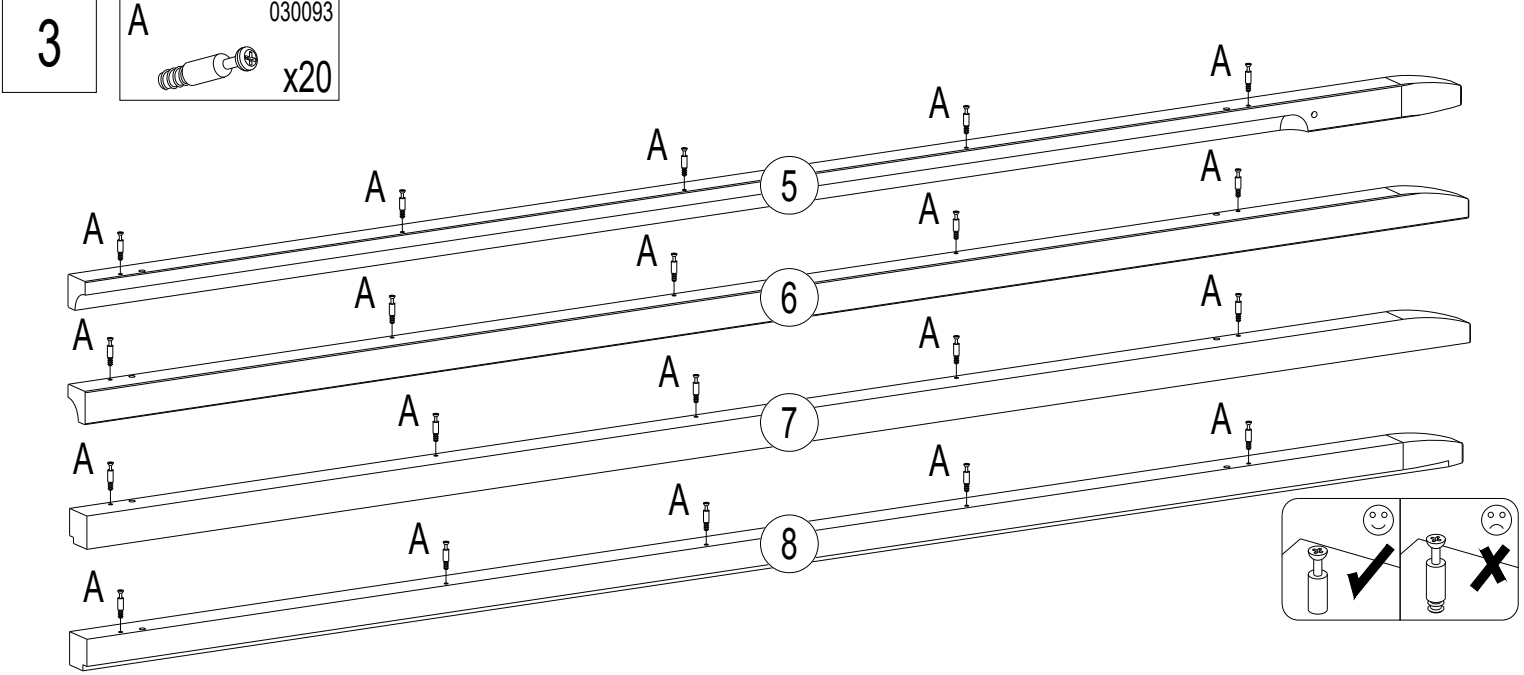
B 030110 x17

Q 100077 100078 x6



3

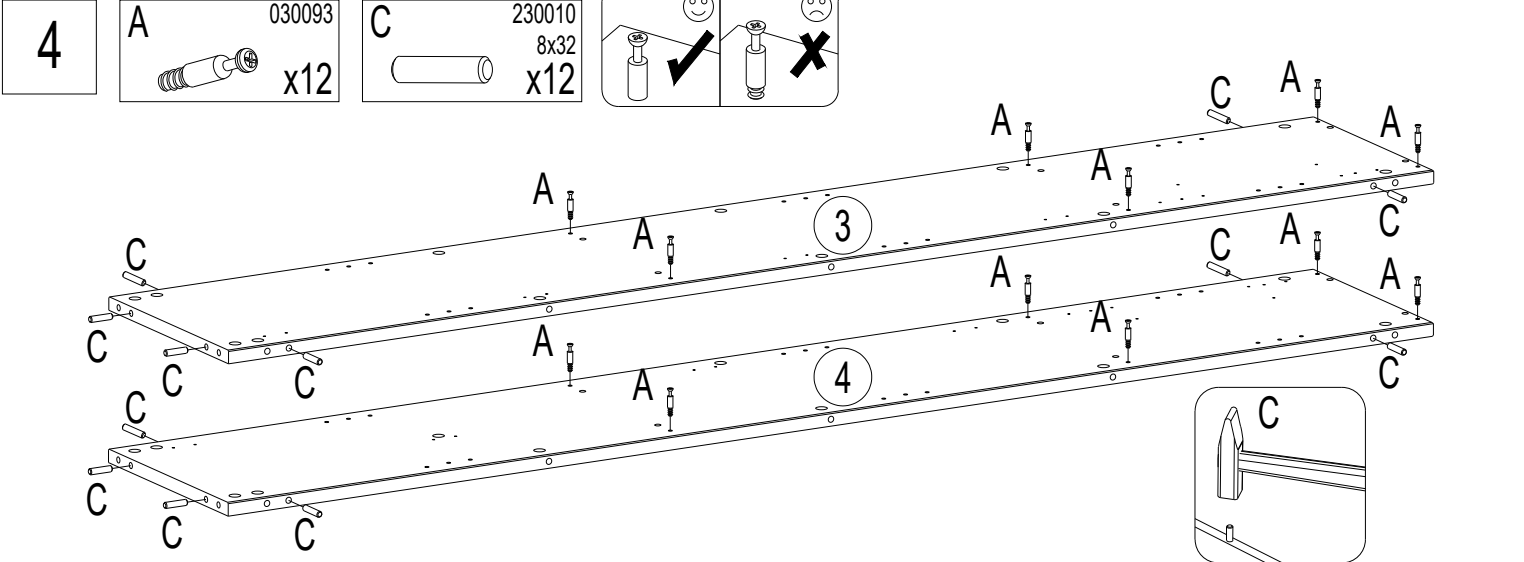
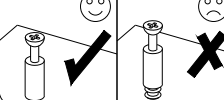
A 030093 x20



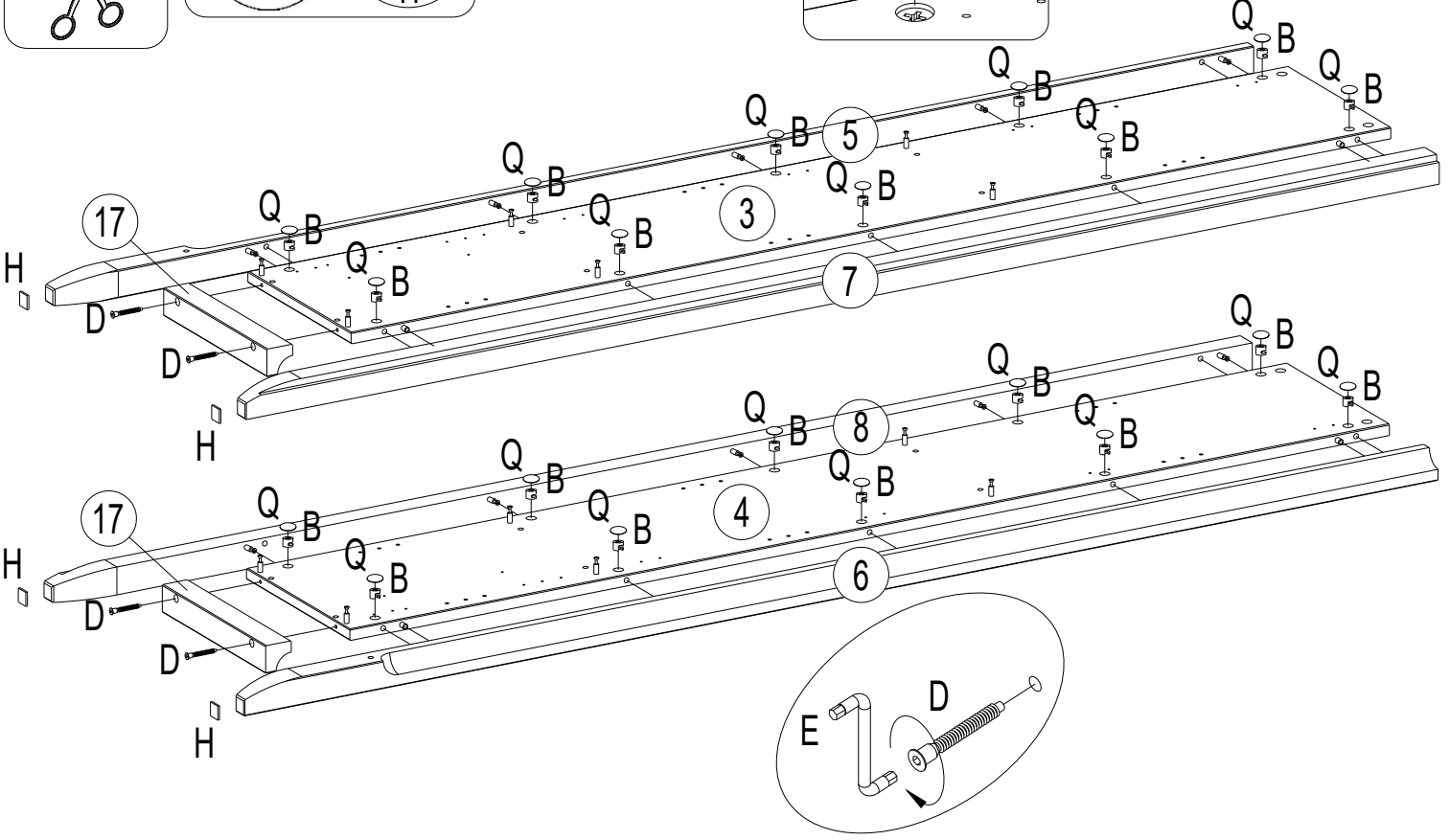
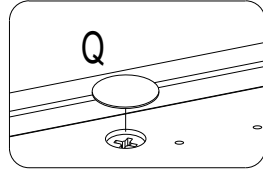
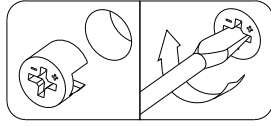
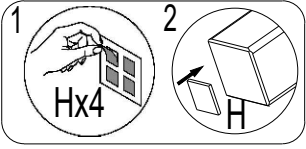
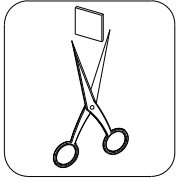
4

A 030093 x12

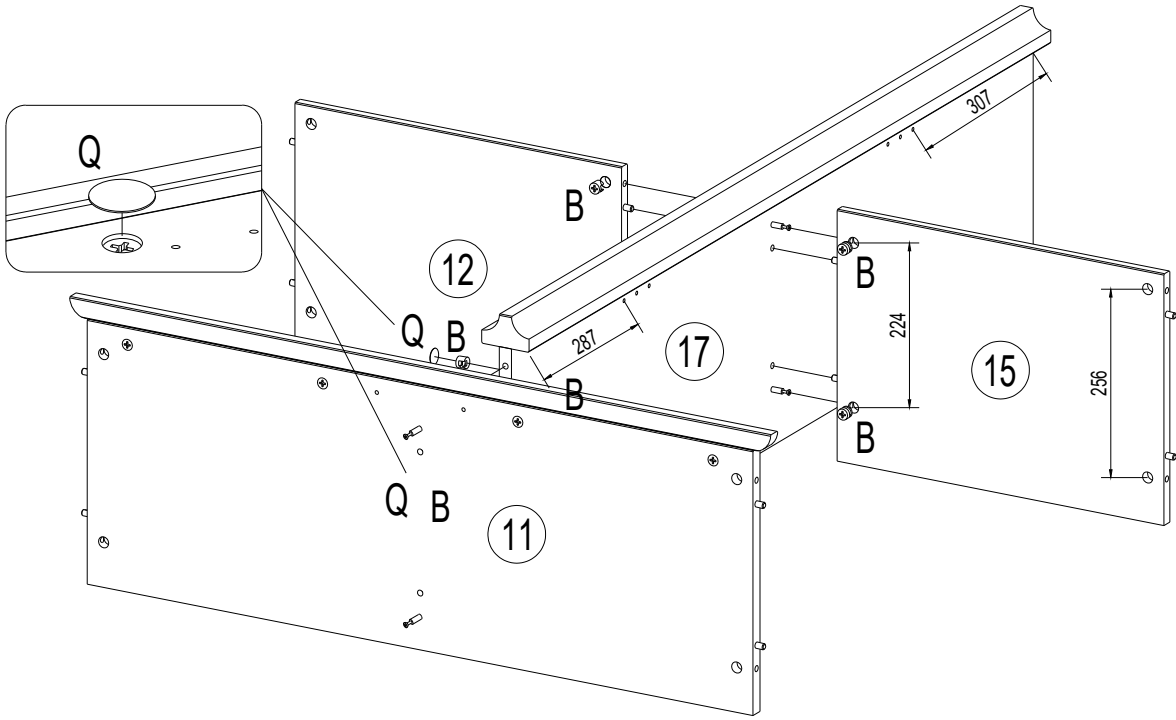
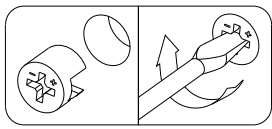
C 230010 8x32 x12



- | | | | | | |
|----------|------------------------|-------------------------------|------------------------------|--------------------------------|----------------------------------|
| 5 | B 030110
x20 | D 030033
7x50
x4 | E 110022
SW4
x1 | H 070017
30x30
x4 | Q 100077
100078
x20 |
|----------|------------------------|-------------------------------|------------------------------|--------------------------------|----------------------------------|



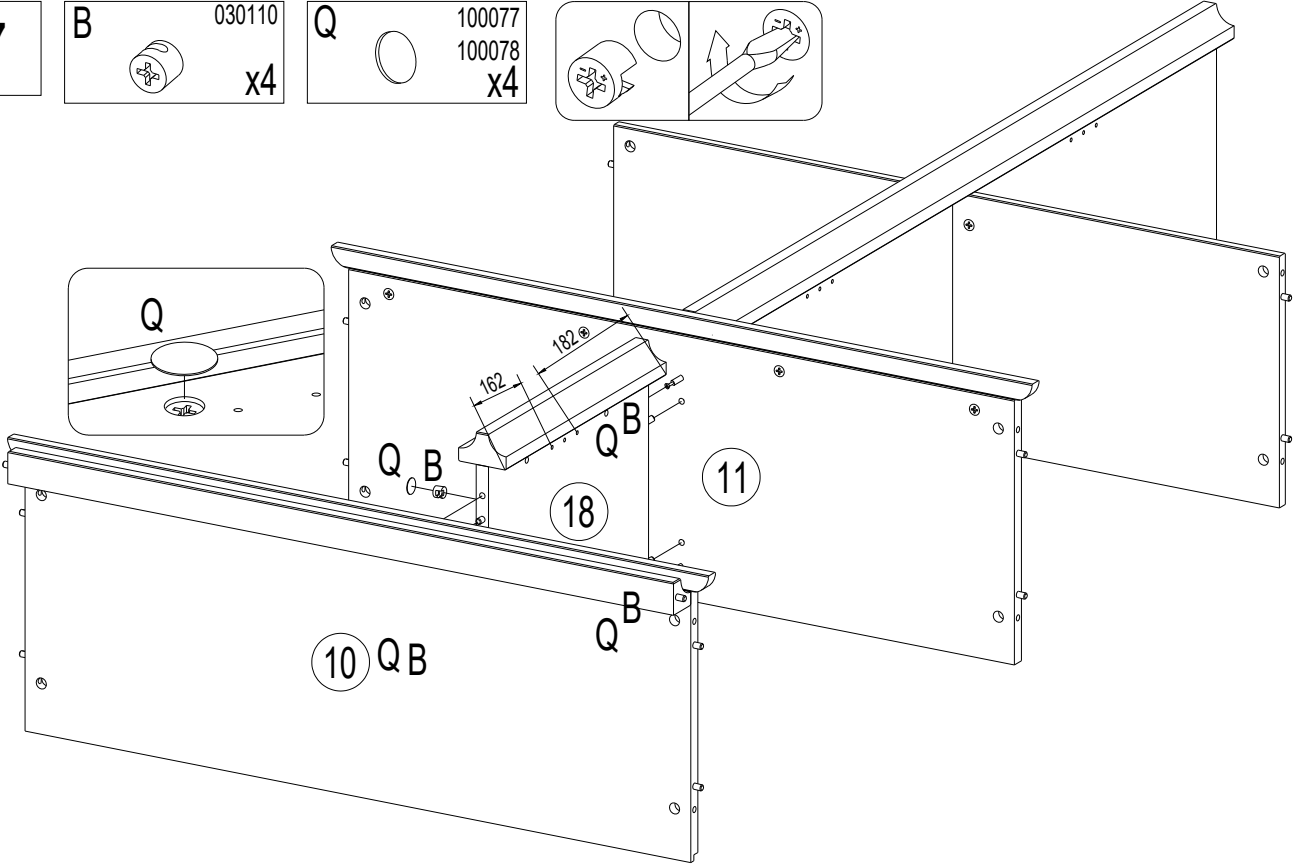
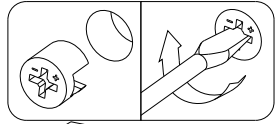
- | | | |
|----------|-----------------------|---------------------------------|
| 6 | B 030110
x6 | Q 100077
100078
x2 |
|----------|-----------------------|---------------------------------|



7

B 030110 x4

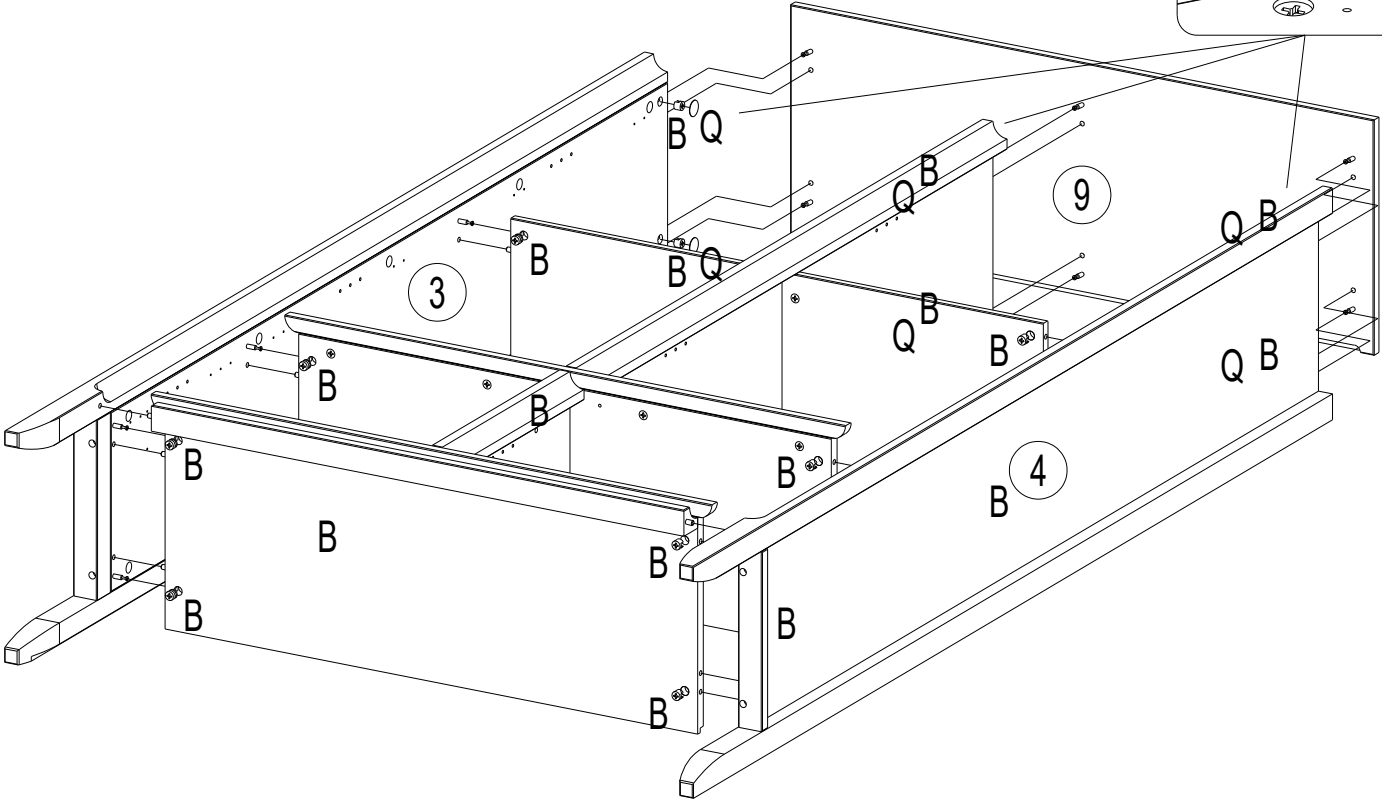
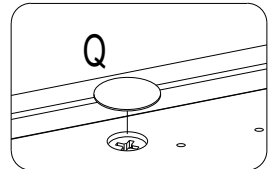
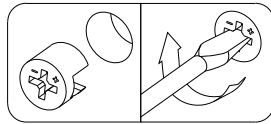
Q 100077 100078 x4



8

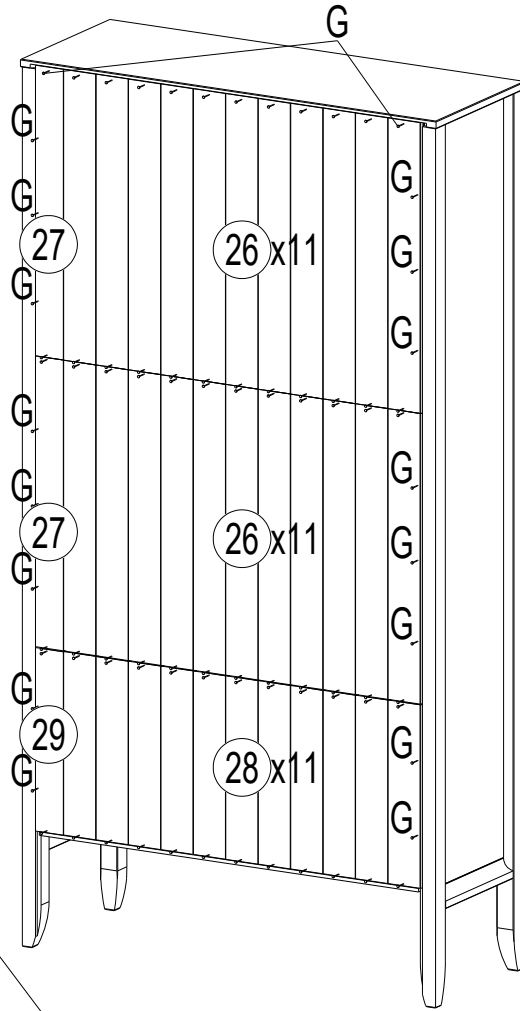
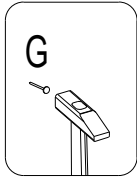
B 030110 x18

Q 100077 100078 x6

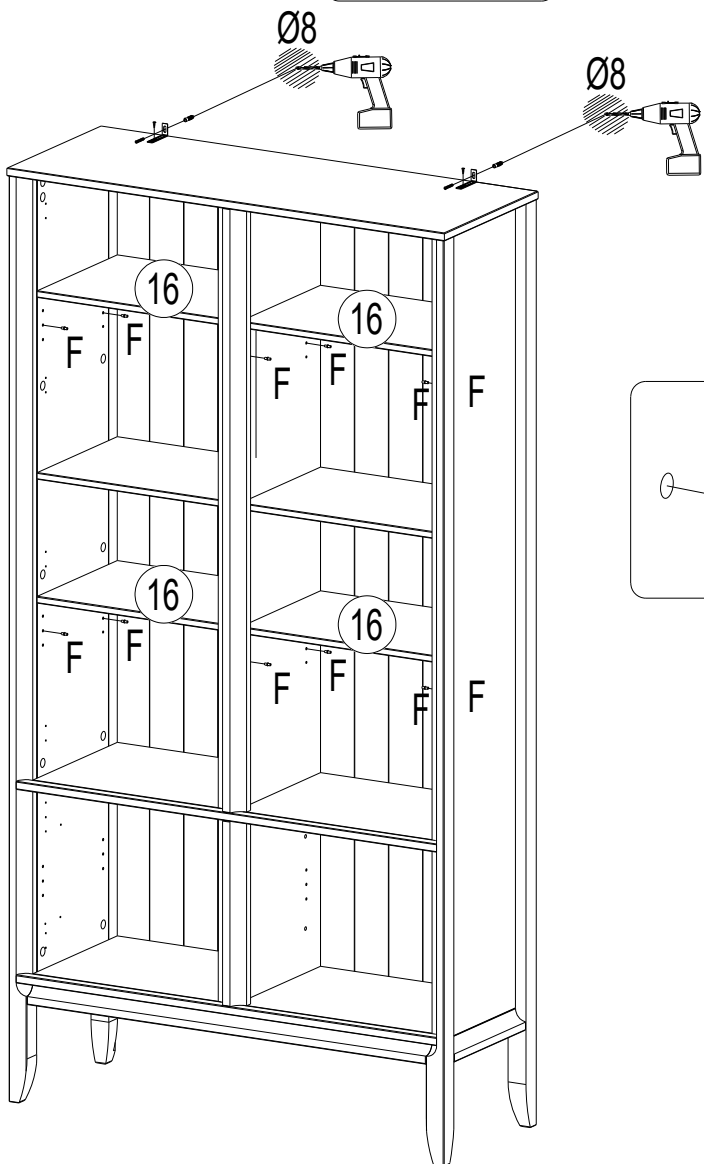
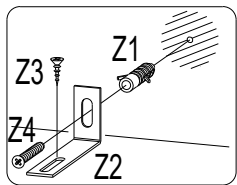


9

G 220043
1,2x20 x4



10



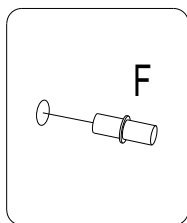
F 190002
x16

Z1 090004
8x40 x2

Z2 180080
76x31x15 x2

Z3 250012
3,5x15 x2


Z4 250044
4x40 x2




B)

1


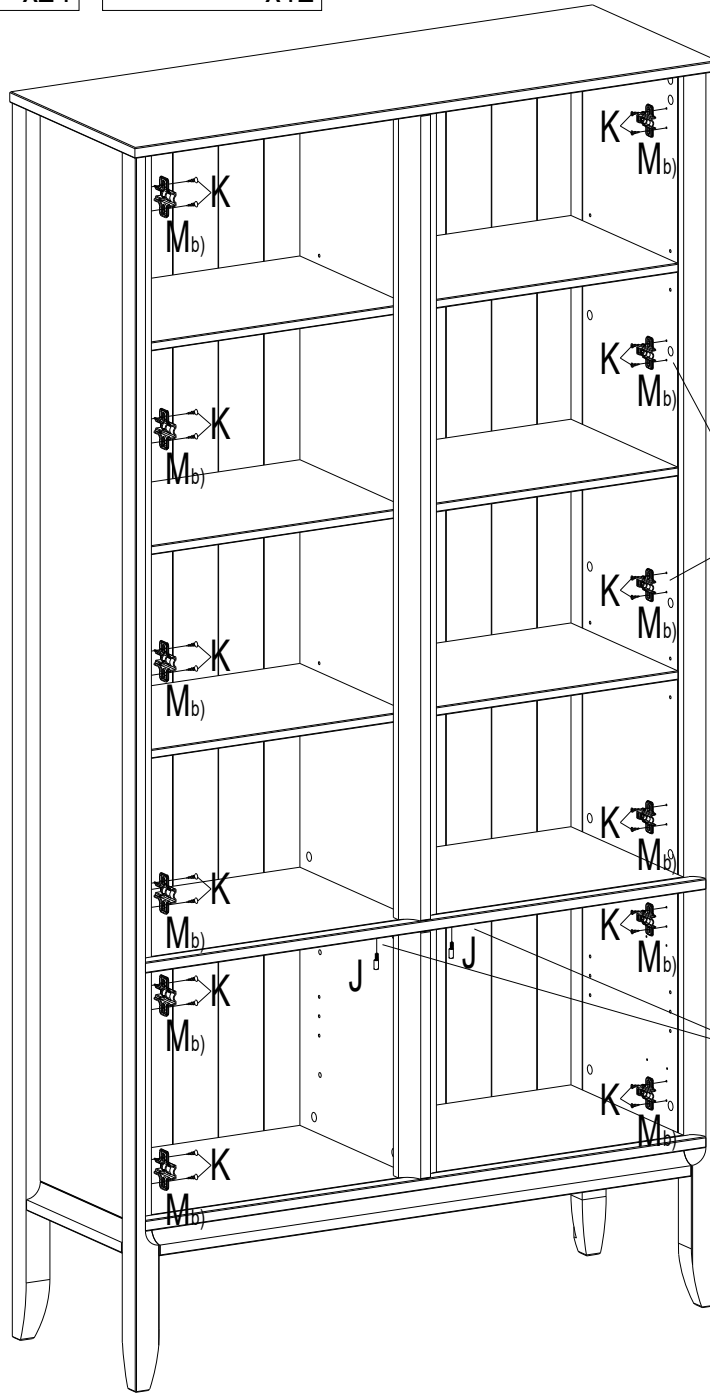
J 140007
x2



K 250012
3,5x15 x24

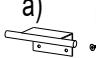


M 180123
x12





2

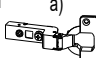
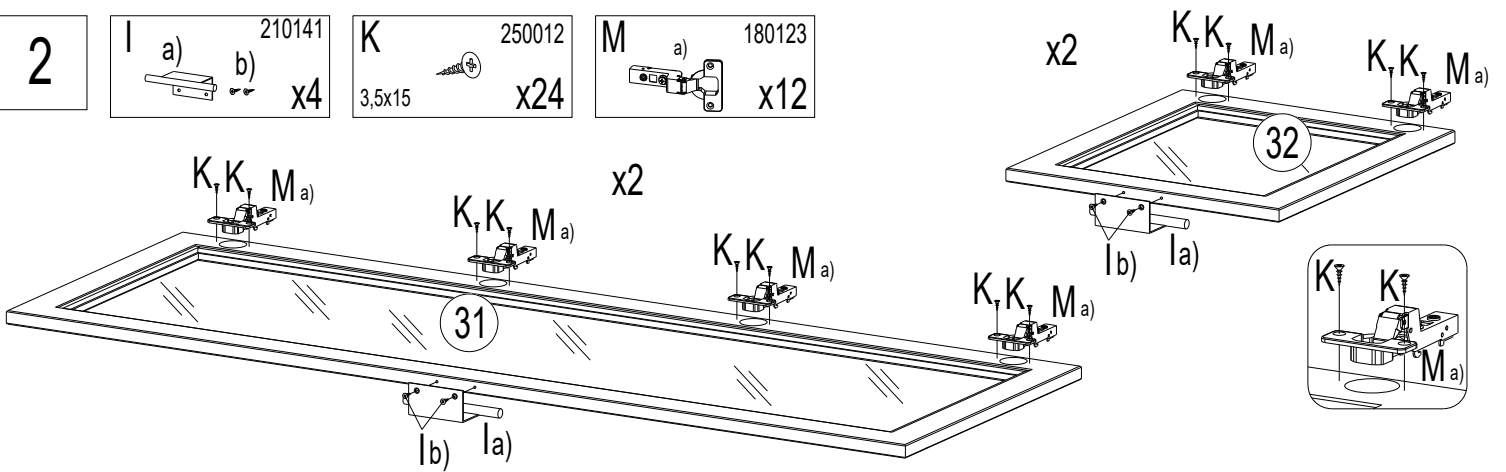
I a) b) 210141
x4

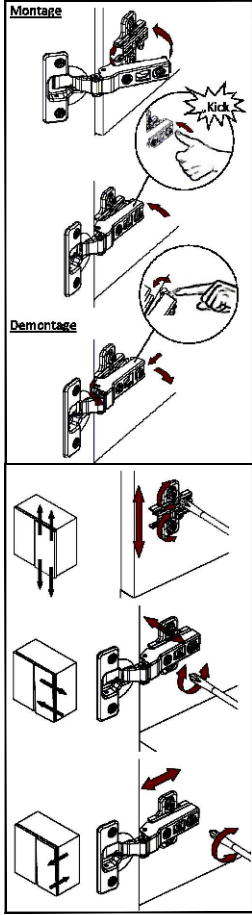
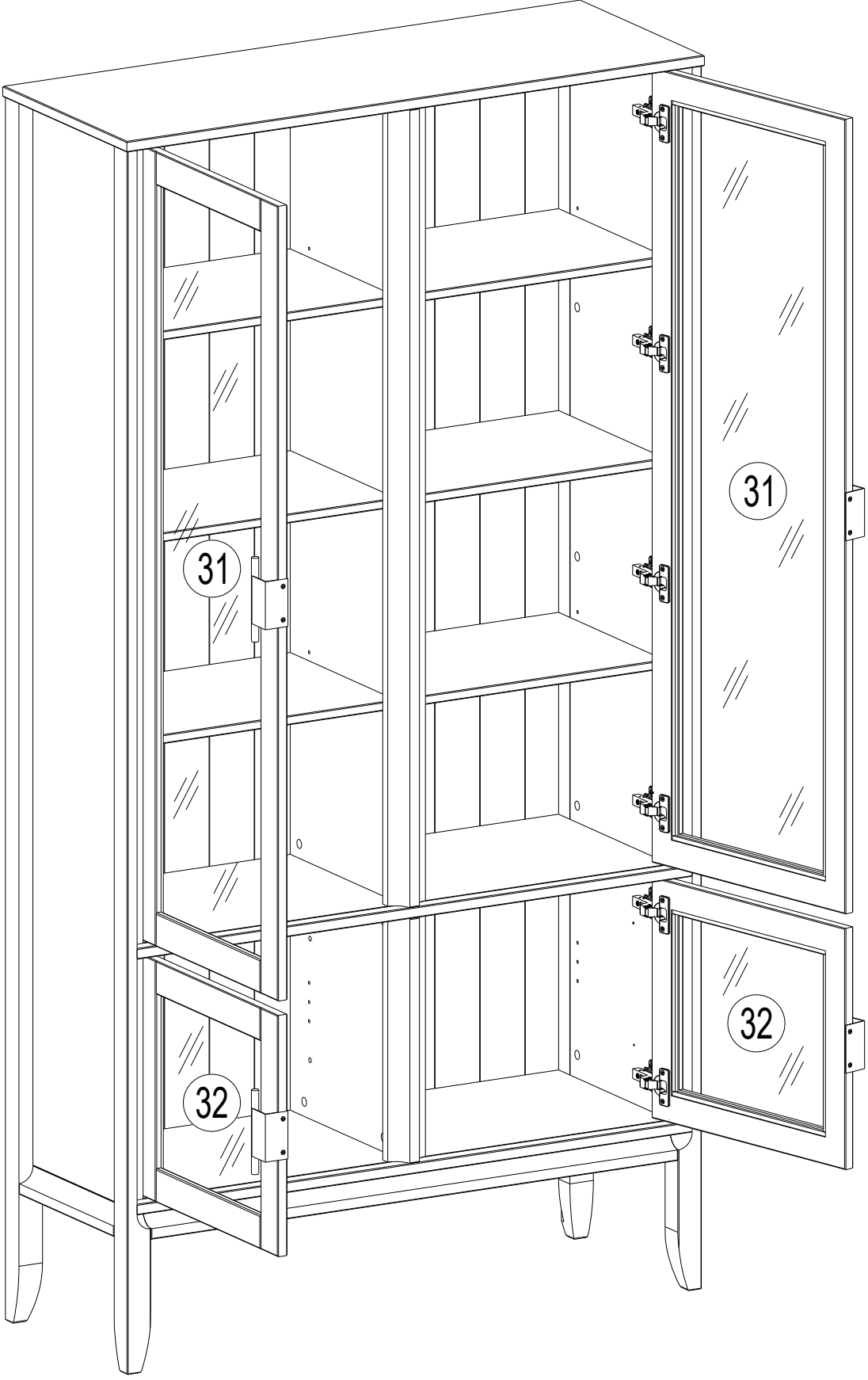


K 250012
3,5x15 x24



M a) 180123
x12



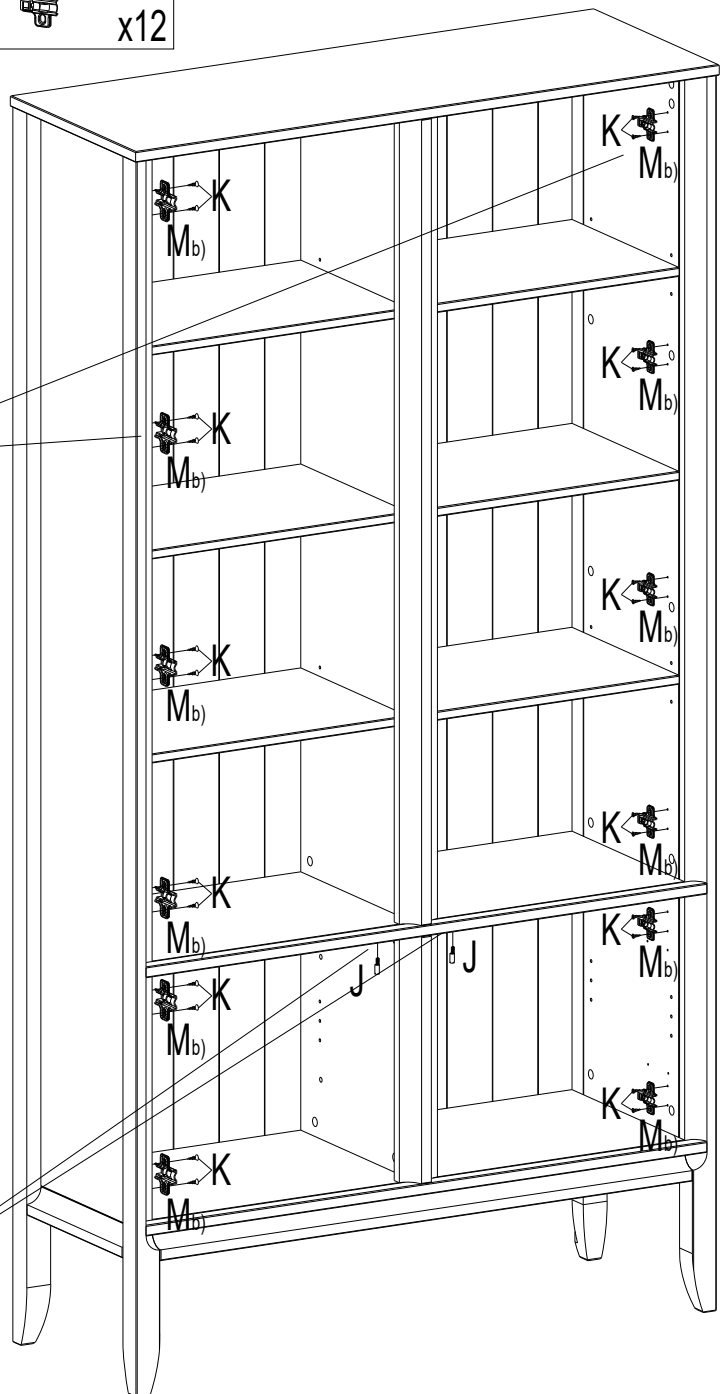
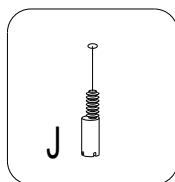
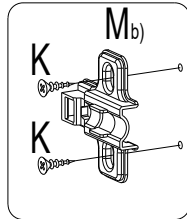
C)

1

J 140007 x2

K 250012 3,5x15 x24

M 180123 x12



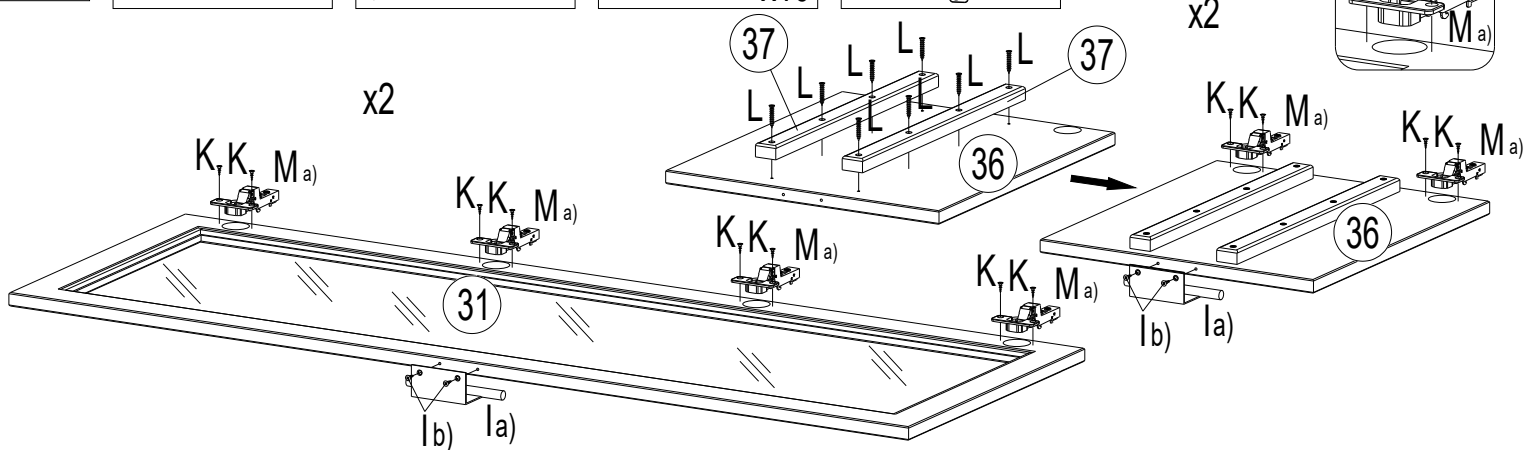
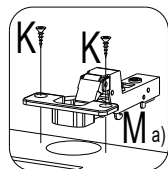
2

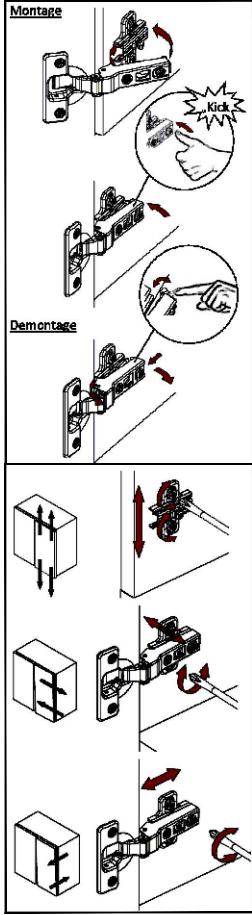
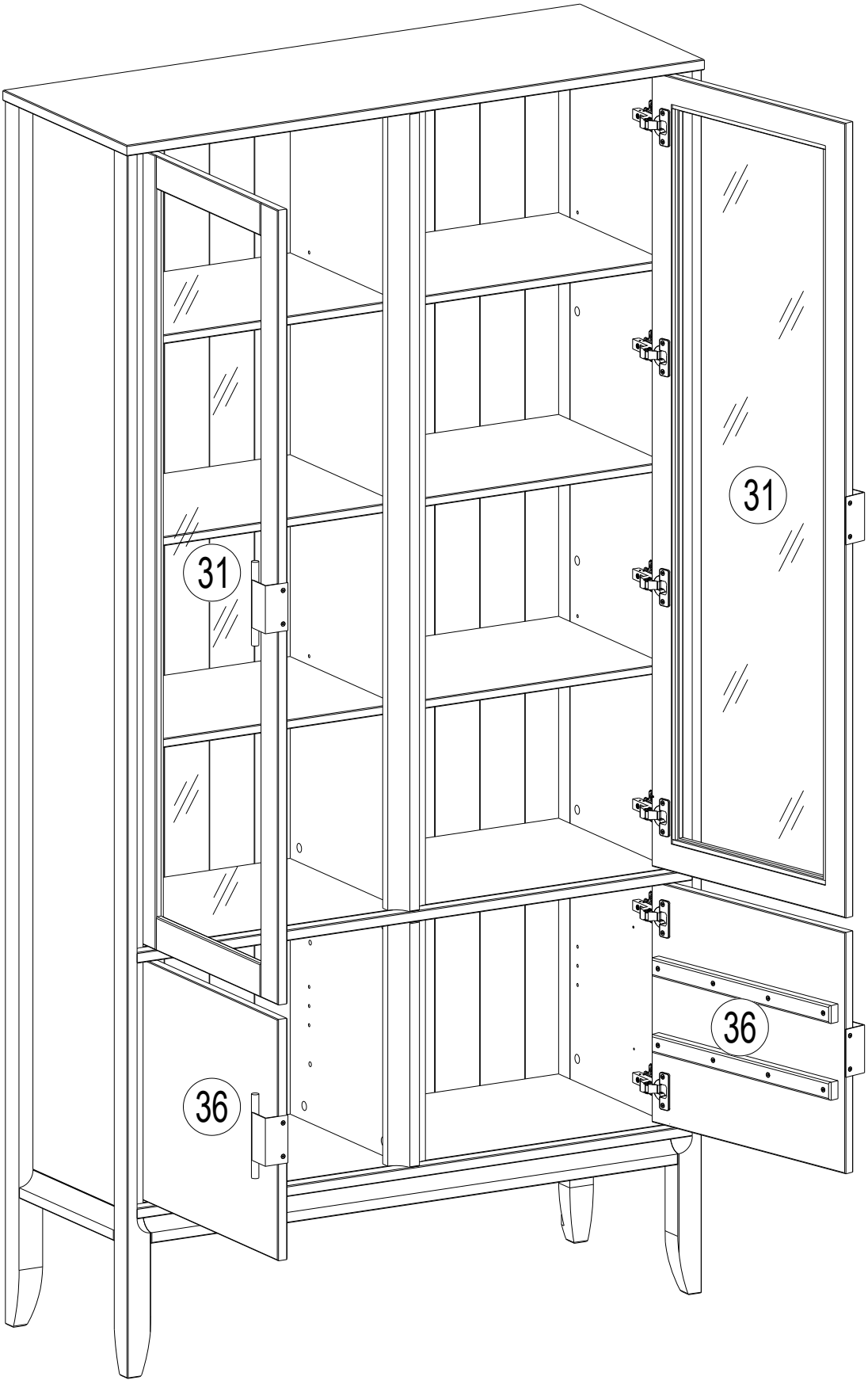
I a) b) 210141 x4

K 250012 3,5x15 x24

L 250021 3,5x30 x16

M a) 180123 x12





D)

1	K	250012	C	230010	O	250044	M(b)	180123	P(b)	160064
	3,5x15	x40		8x32		4x40		x8		x8

