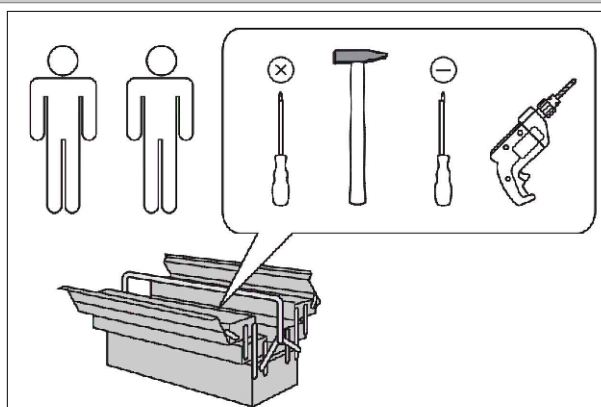
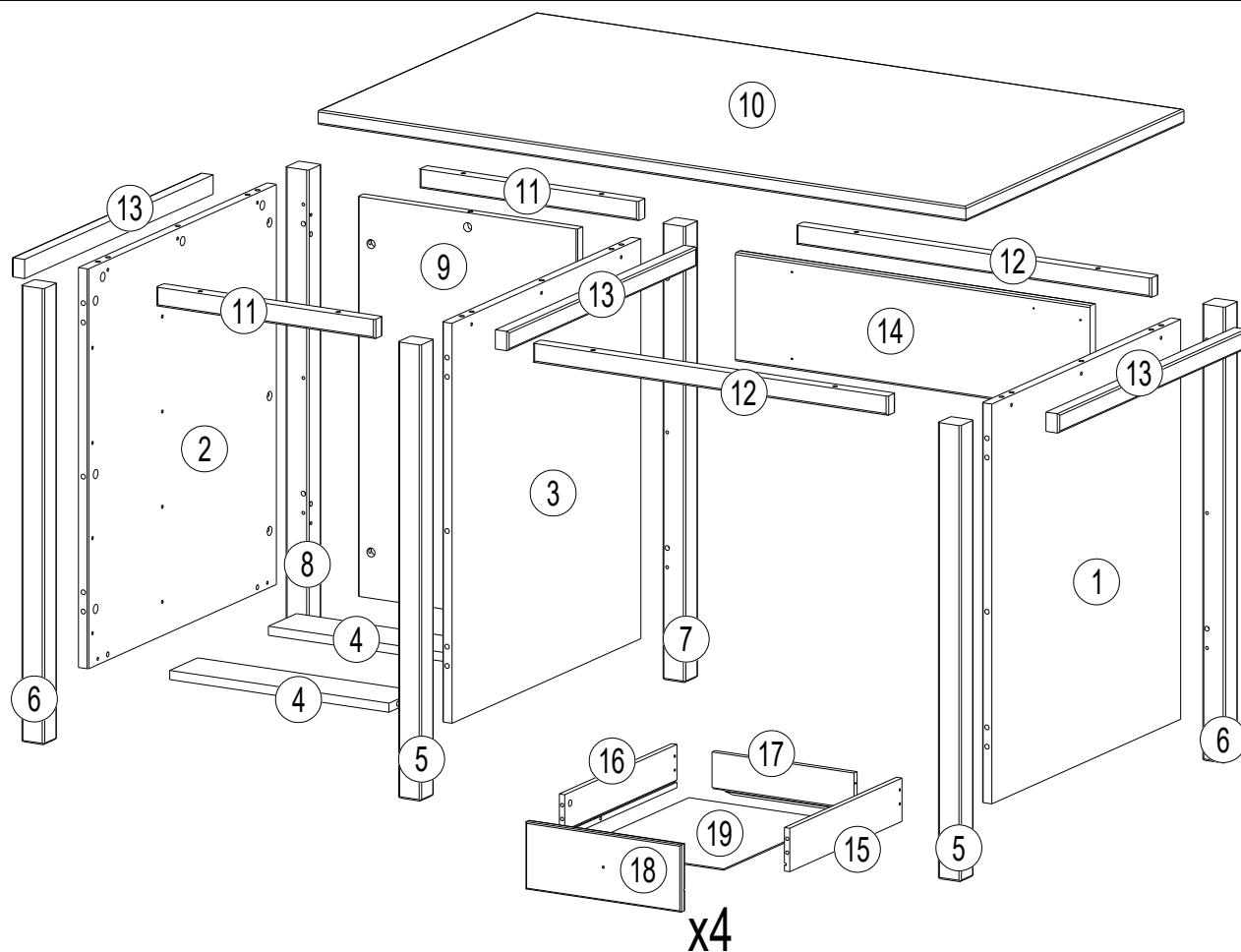


- | | |
|---------------------------------------|-----------------------------------|
| D Montageanleitung | GB Assembly instructions |
| FR Notice de montage | IT Istruzioni di montaggio |
| NL Handleiding voor de montage | PL Instrukcja montażu |
| CZ Montážní návod | SK Návod na montáž |
| HU Szerelési útmutató | RO Instrucțiuni de montaj |
| TR Montaj talimatı | RU Инструкция по монтажу |





x4

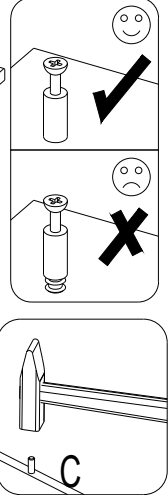
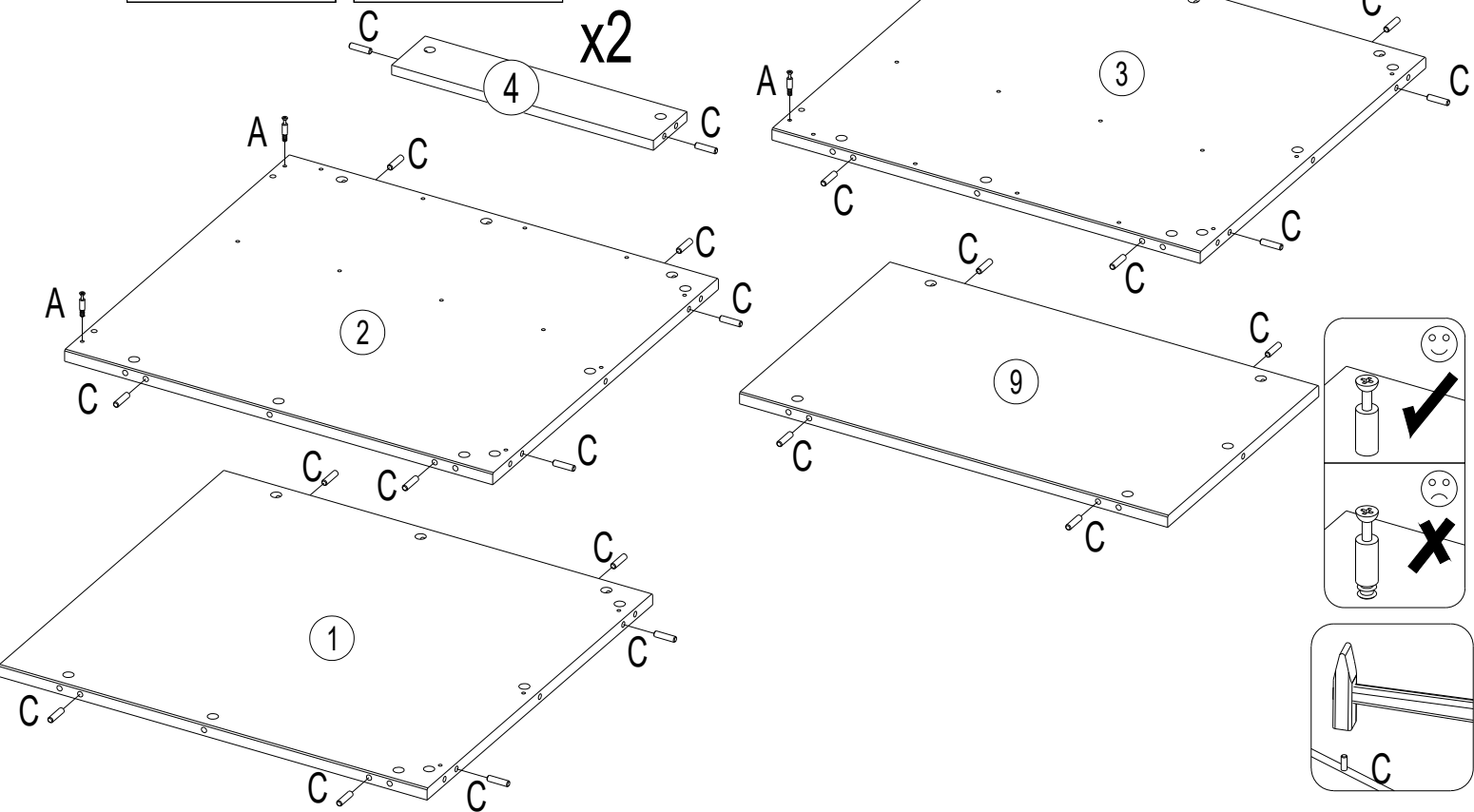
A	030093	B	030110	C	230010 8x32 x36	D	030011 6.2/7.8x13 x16	E	210118 x4	F	030052 M4x22 x4
G	070017 30x30 x6	H	160006 x4	J	160006 x4	K	250024 3.5x35 x25	L	100070 x8	M	030033 7x50 x8
N	110021 SW4 x1	O	180073 x4	P	250012 3.5x15 x12	Q	180017 x1				

No	Size/MaB (mm)	Qty	✓	No	Size/MaB (mm)	Qty	✓
1	664x606x18	1		11	405x32x24	2	
2	664x606x18	1		12	657x32x24	2	
3	664x606x18	1		13	605x32x24	3	
4	406x90x15	2		14	657x180x18	1	
5	758x42x42	2		15	500x100x14	4	
6	758x42x42	2		16	500x100x14	4	
7	758x42x42	1		17	365x92x14	4	
8	758x42x42	1		18	400x155x18	4	
9	664x406x18	1		19	374x492x3	4	
10	1200x700x24	1					

1

A 030093 x4

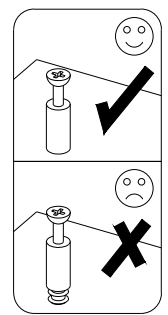
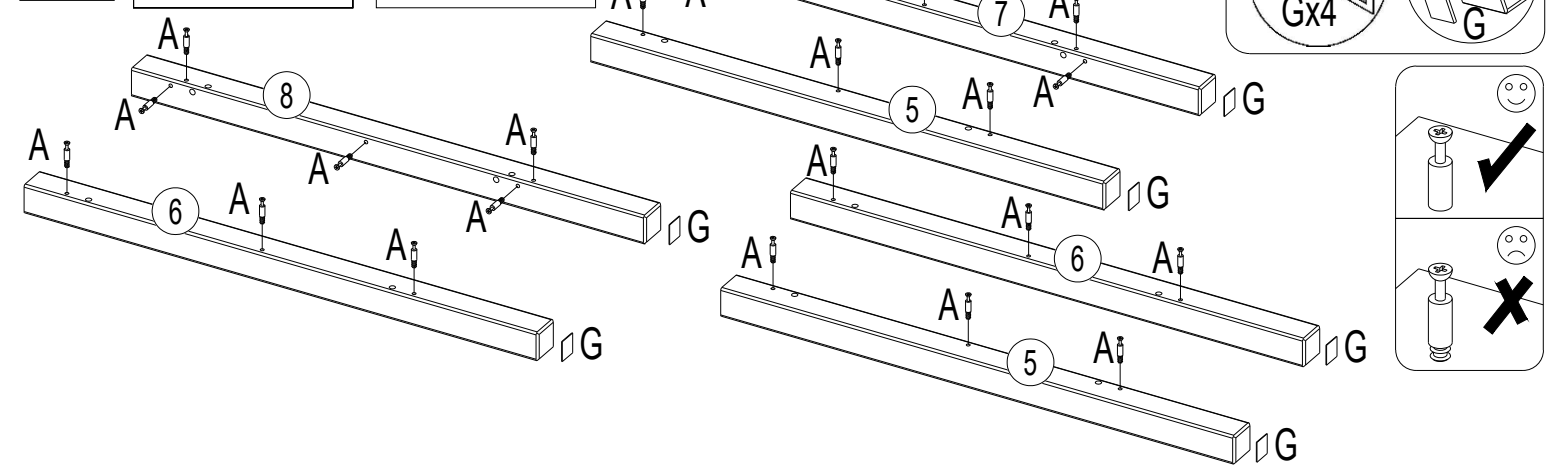
C 230010 8x32 x26



2

A 030093 x22

G 070017 30x30 x6



3

A 030093 x8

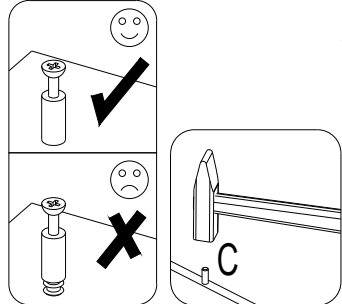
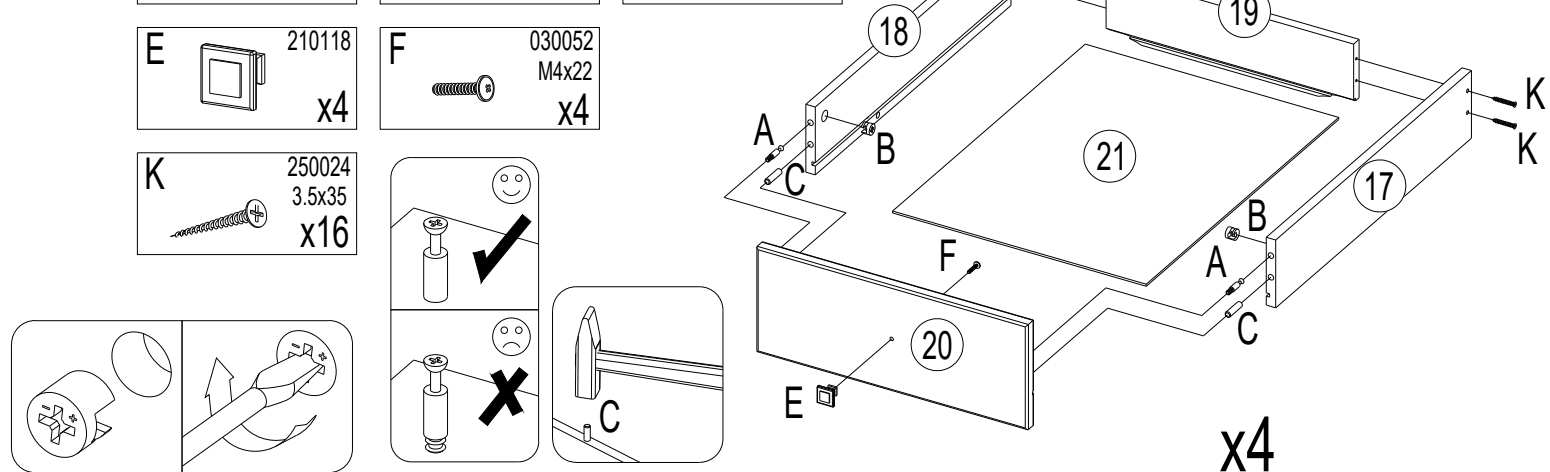
B 030110 x8

C 230010 8x32 x8

E 210118 x4

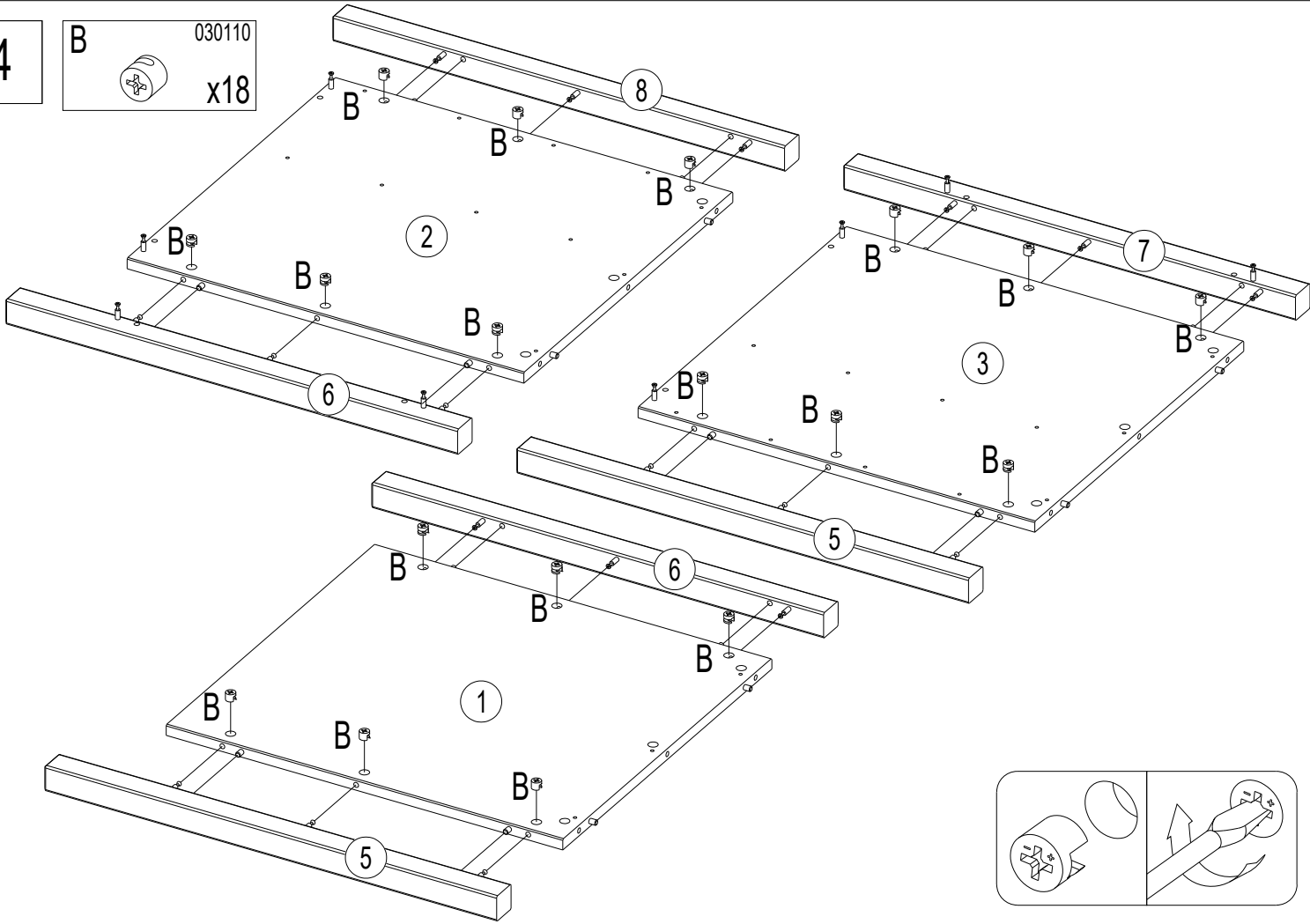
F 030052 M4x22 x4

K 250024 3.5x35 x16



4

B 030110 x18



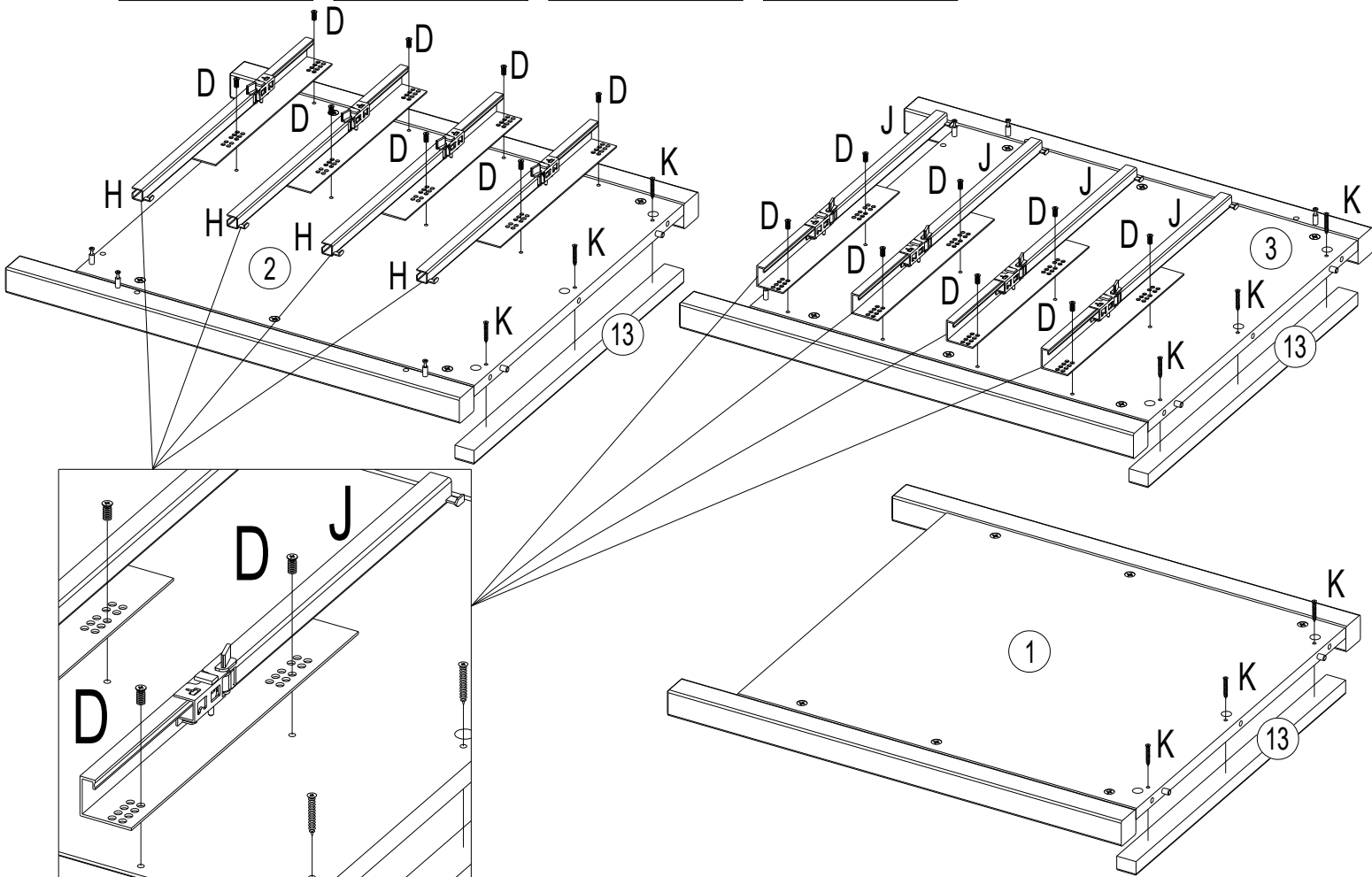
5

D 030011 6.2/7.8x13 x16

H 160006 x4

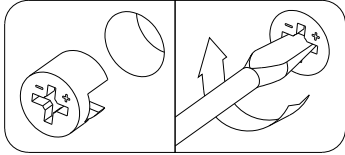
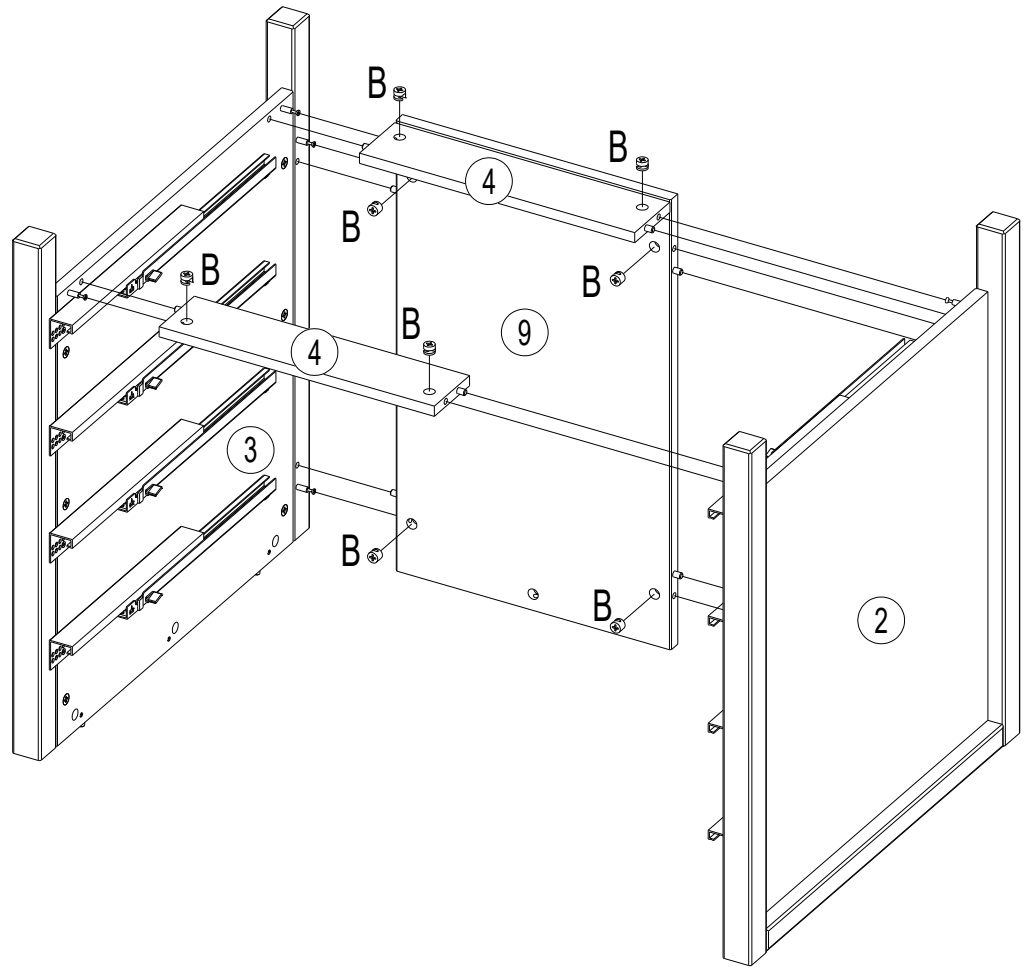
J 160006 x4

K 250024 3.5x35 x9



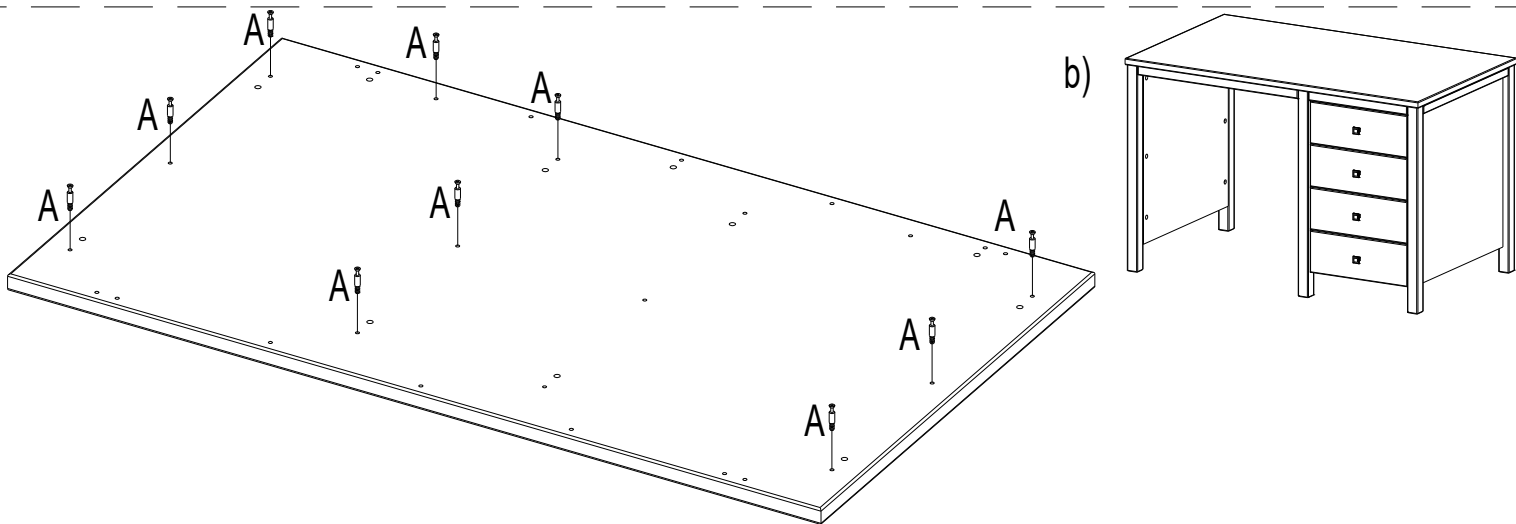
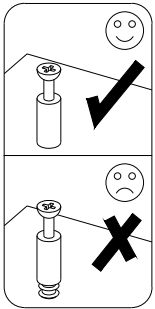
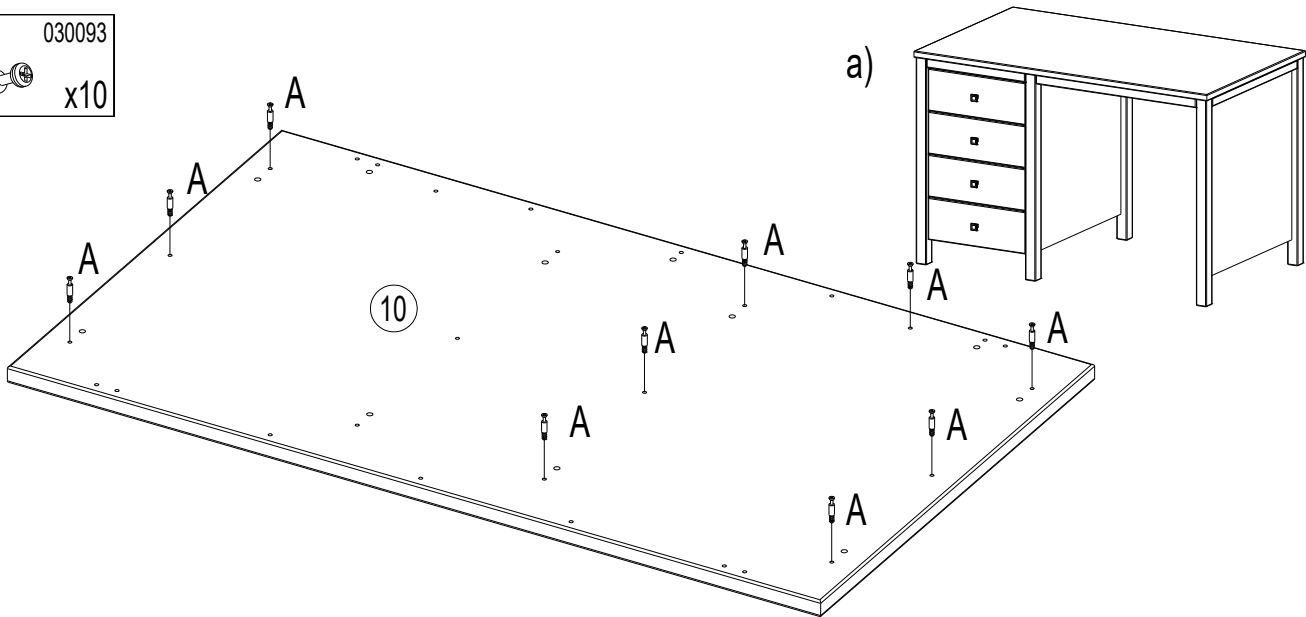
6

B 030110 x8



5

A 030093 x10



5-10

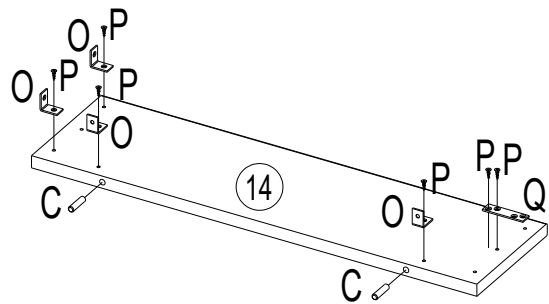
6

C 230010 8x32 x2

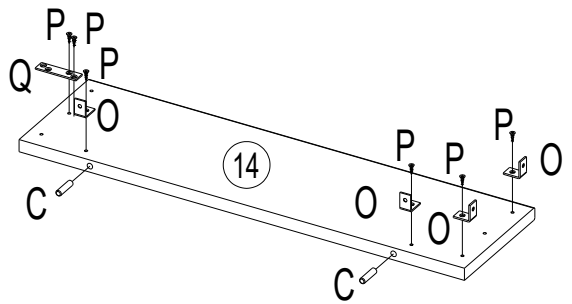
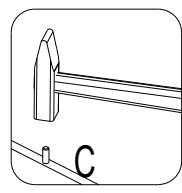
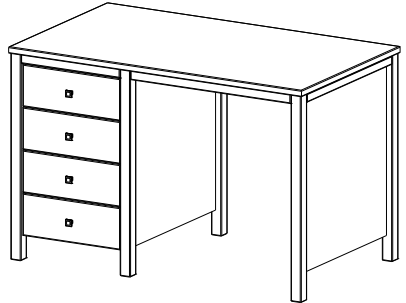
O 180073 x4

P 250012 3.5x15 x6

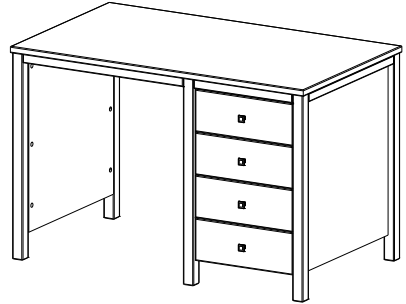
Q 180017 x1



a)



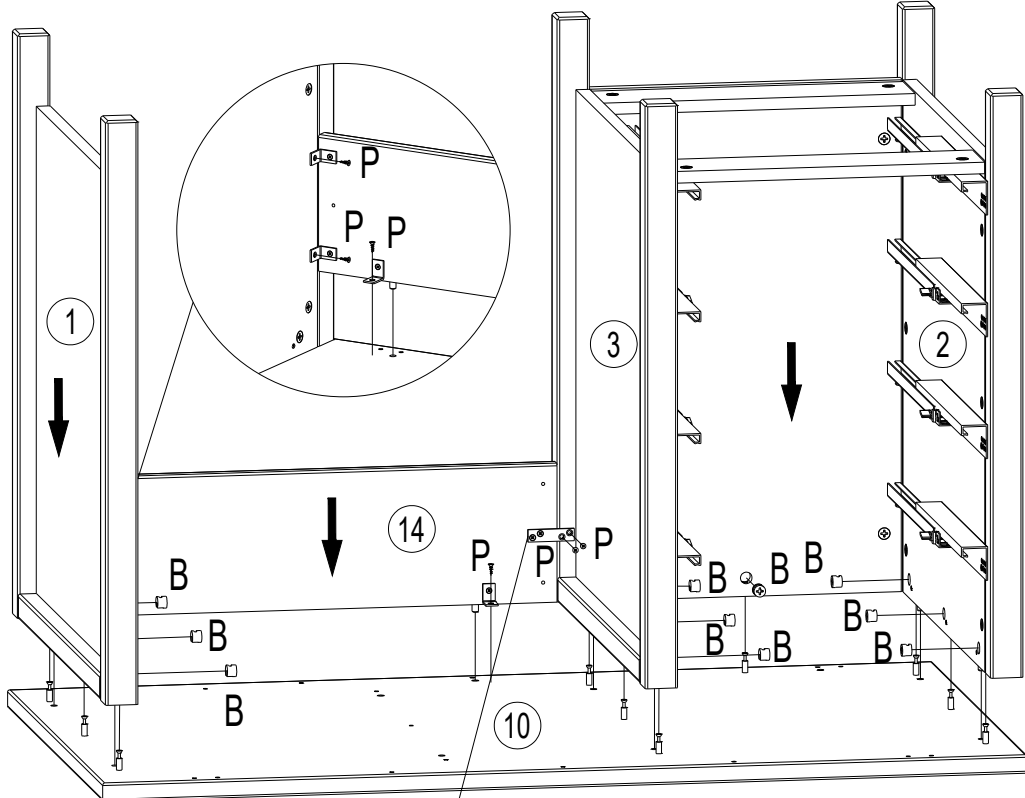
b)



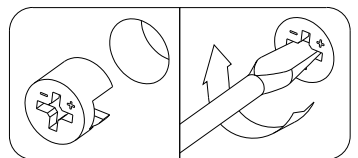
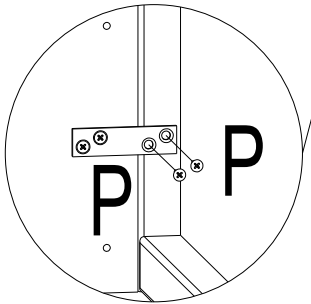
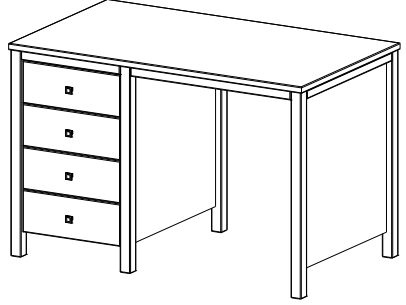
7

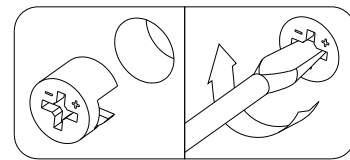
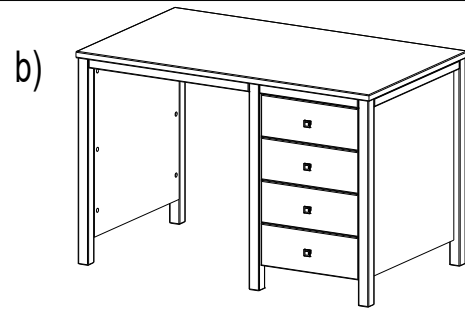
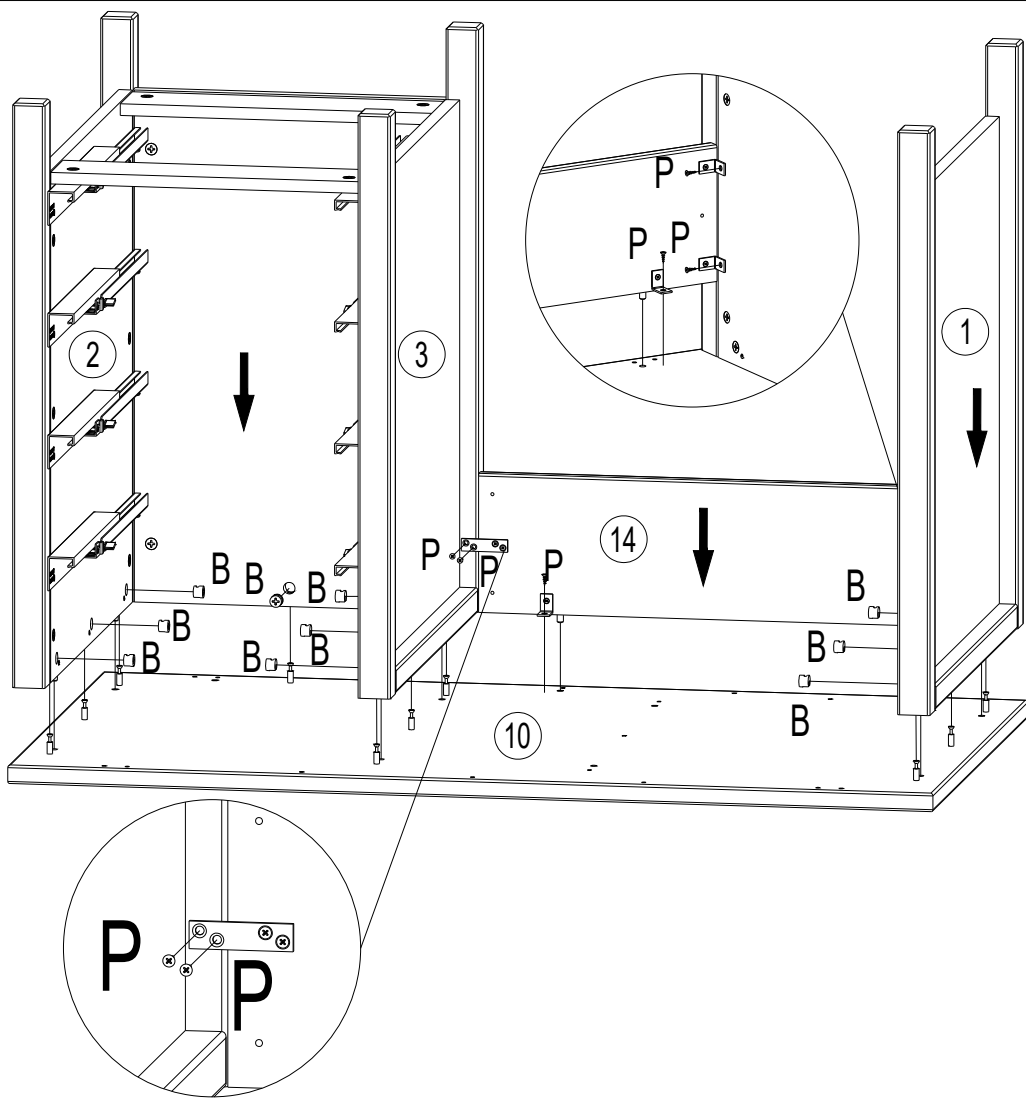
B 030110 x10



P 250012 3.5x15 x6

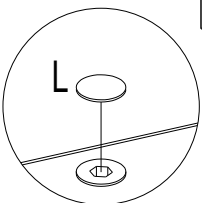
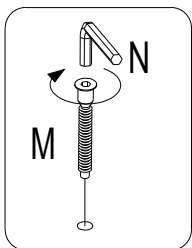
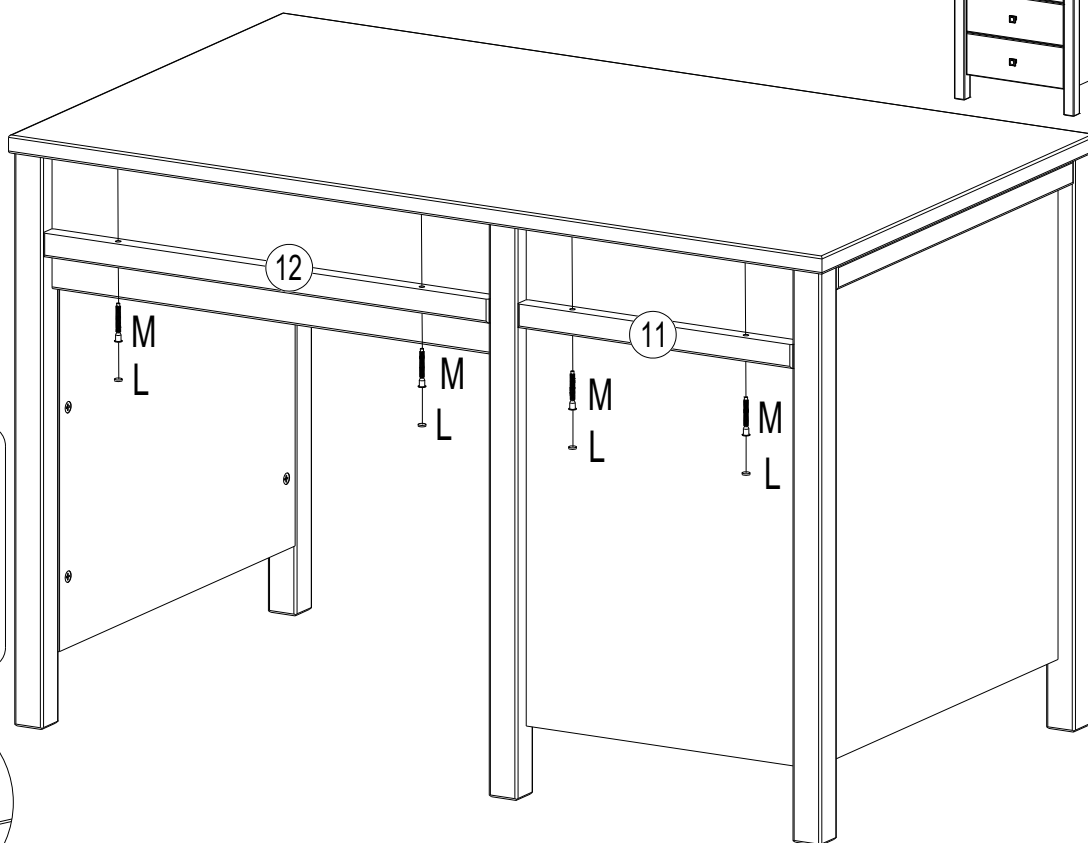
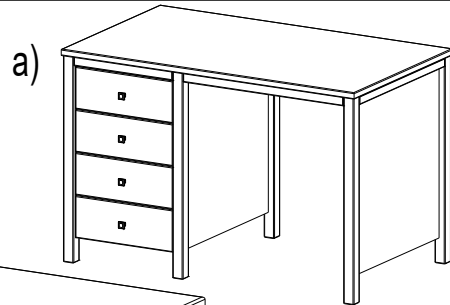


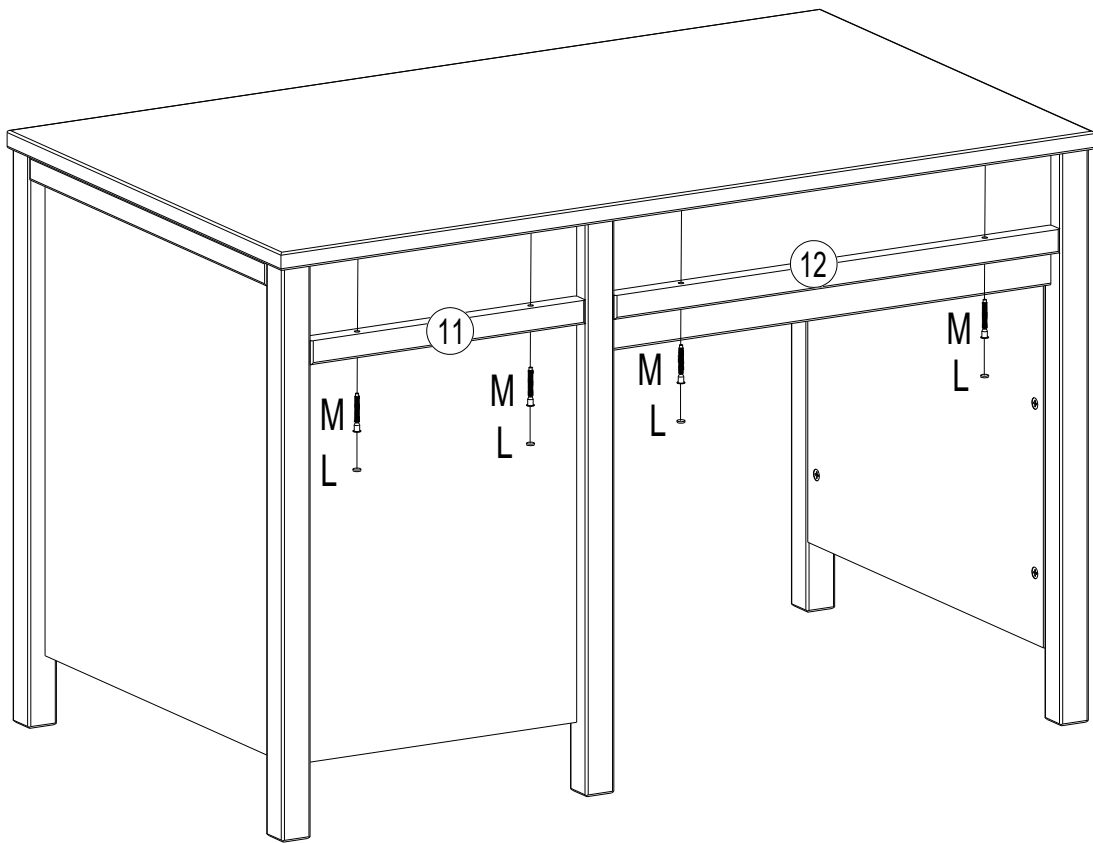
a)



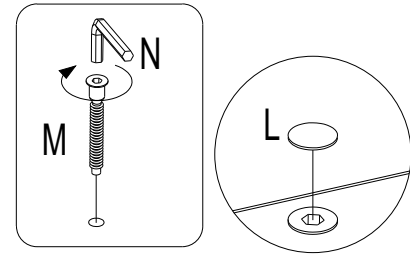
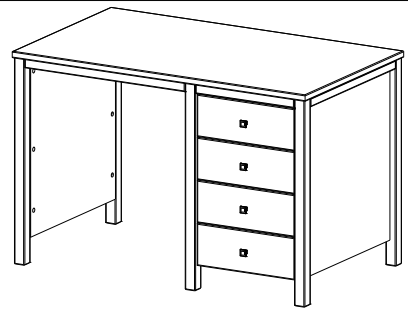


- | | | | | | | |
|---|---|--------|---|--------|----|--------|
| 8 | L | 100070 | M | 030033 | N | 110021 |
| |  | x4 |  | 7x50 | x4 | SW4 |
| | | | | | | x1 |

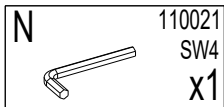
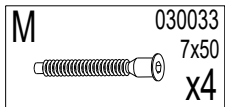
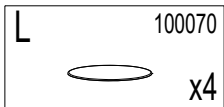




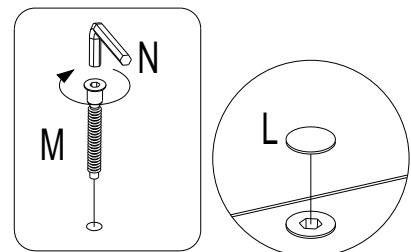
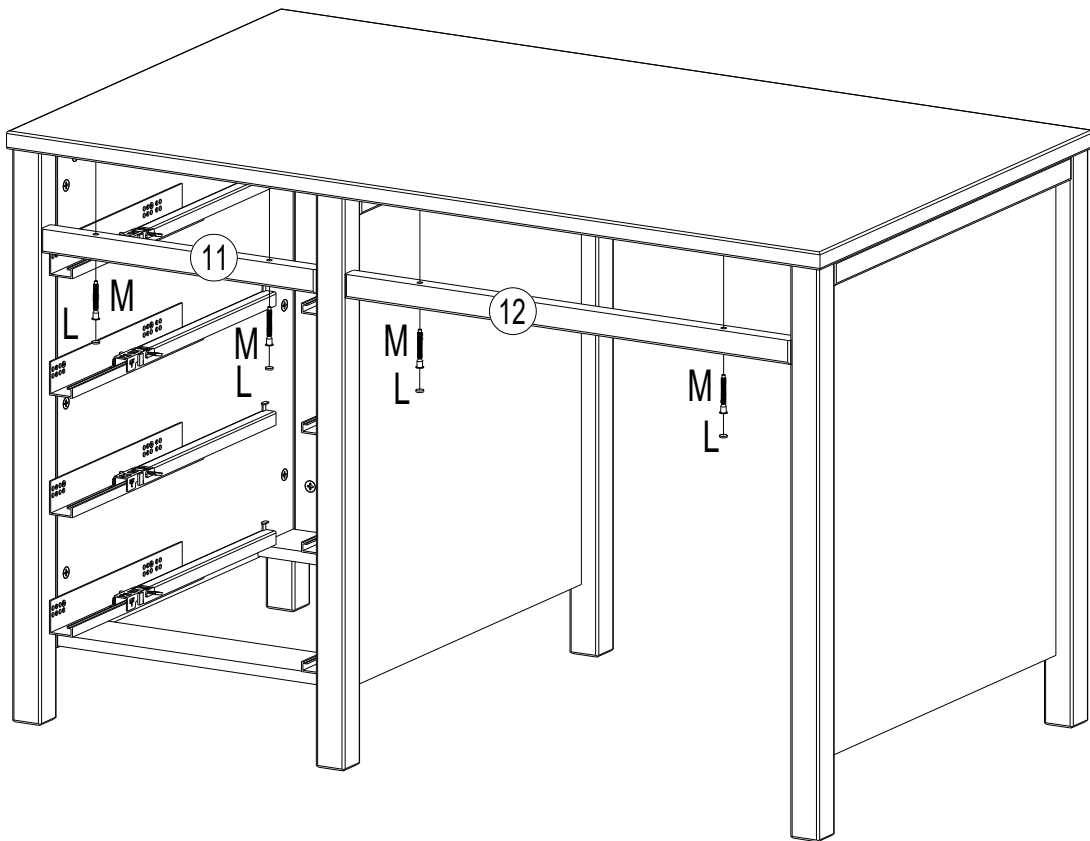
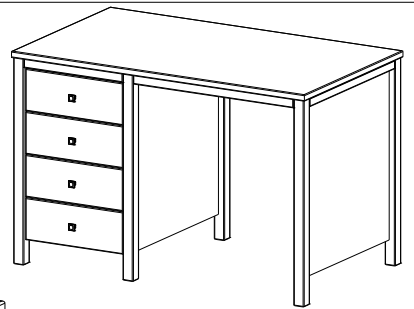
b)

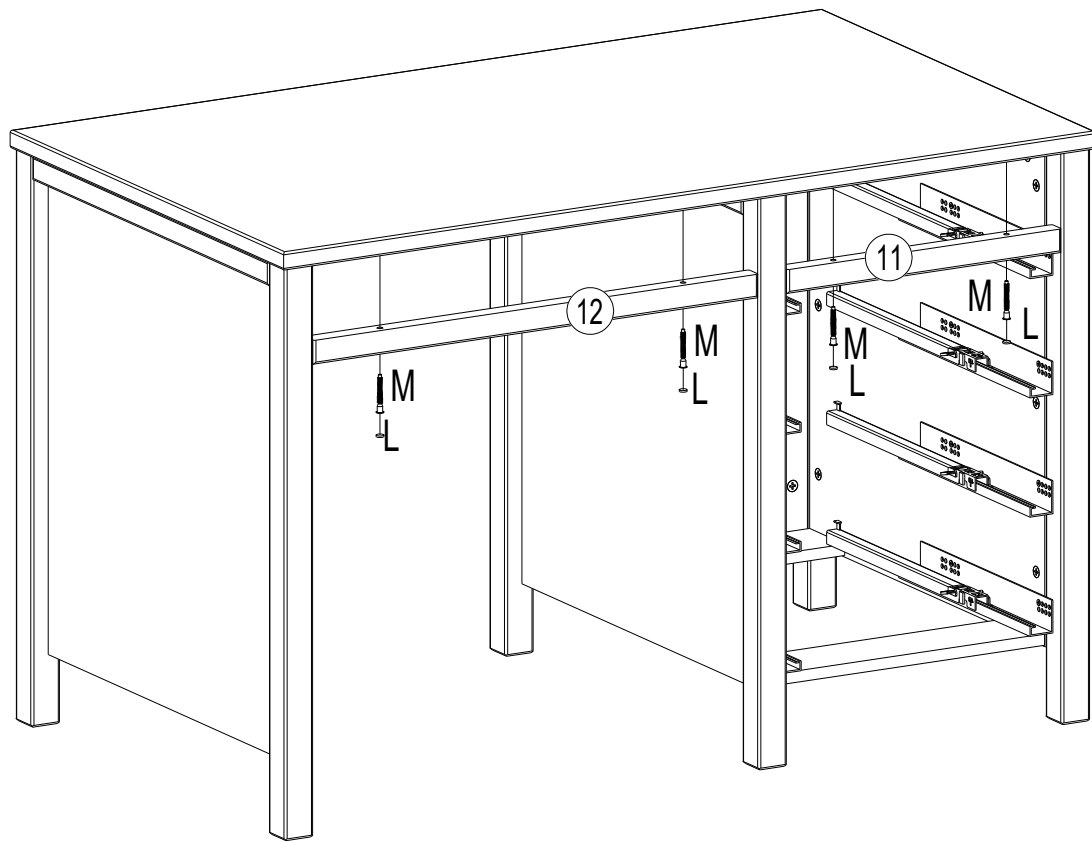


9

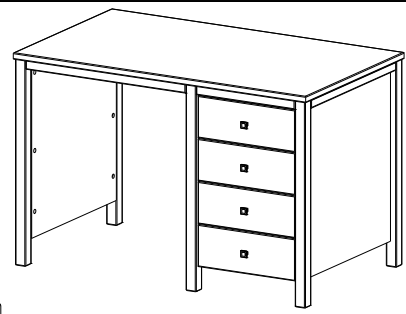


a)



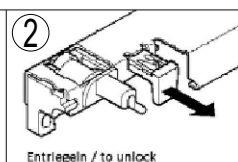
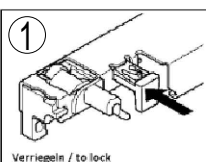
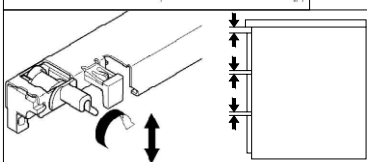
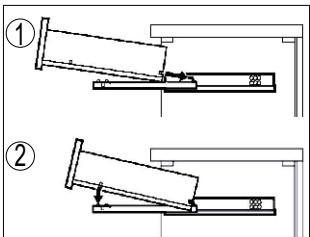
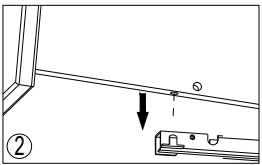
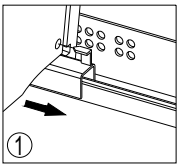
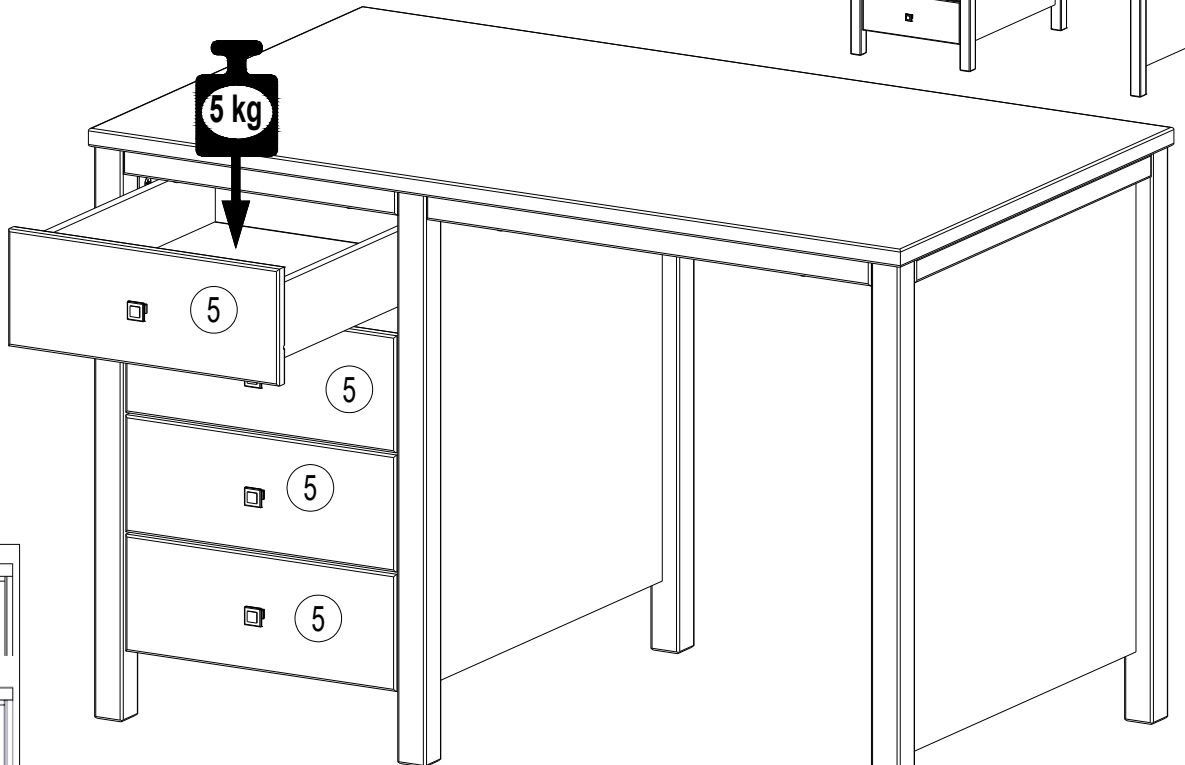
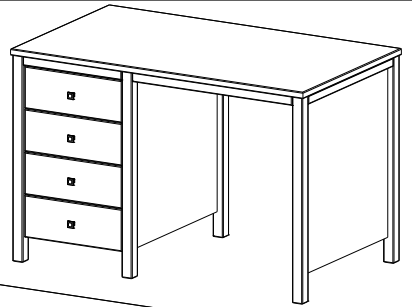


b)



10

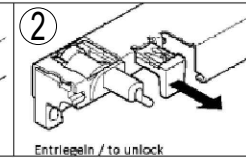
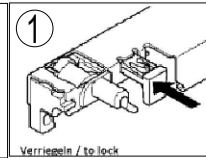
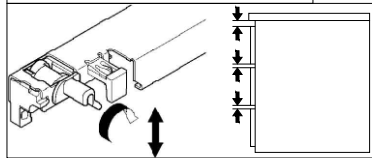
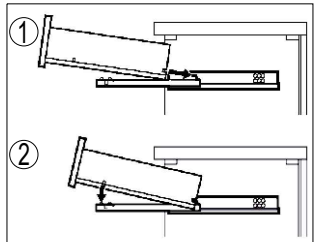
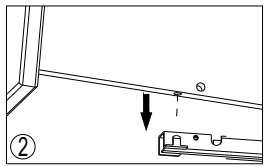
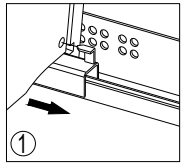
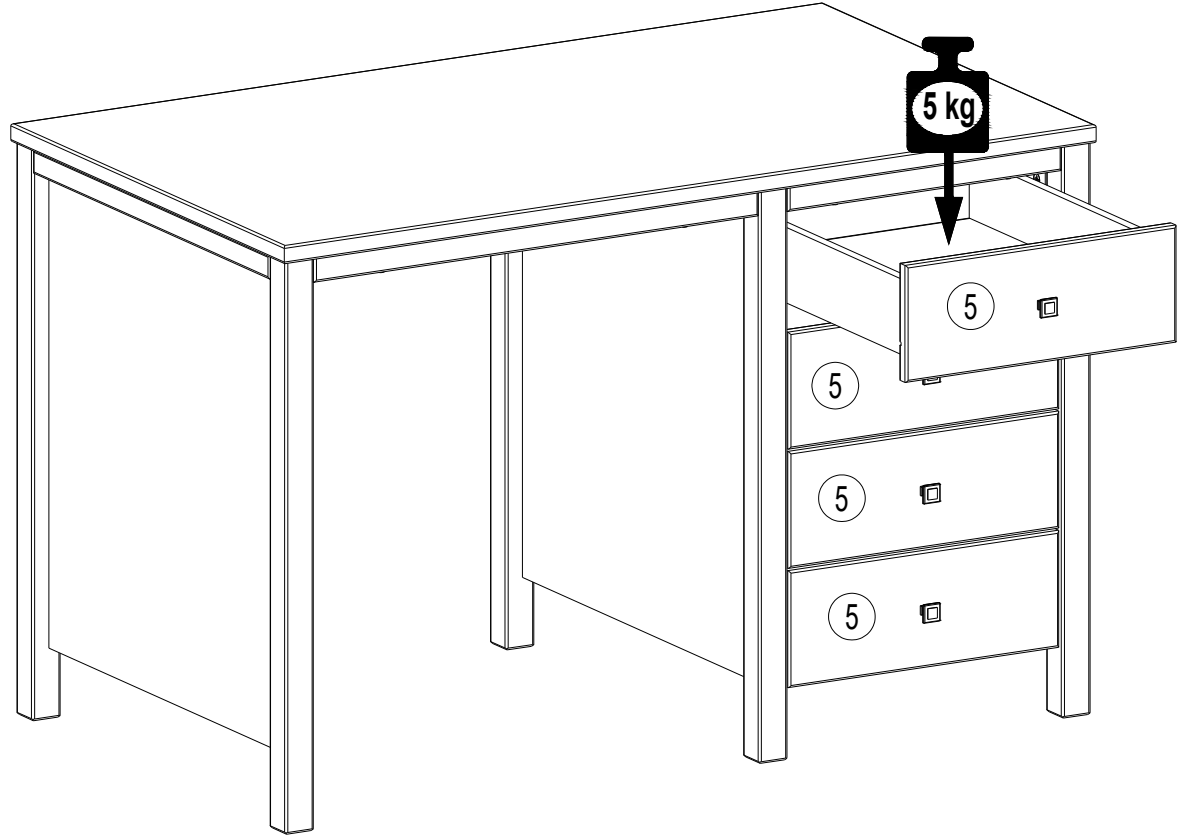
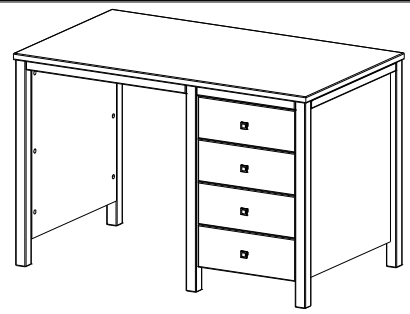
a)



Verriegeln / to lock

Entriegeln / to unlock

b)



① Verriegeln / to lock

② Entriegeln / to unlock